



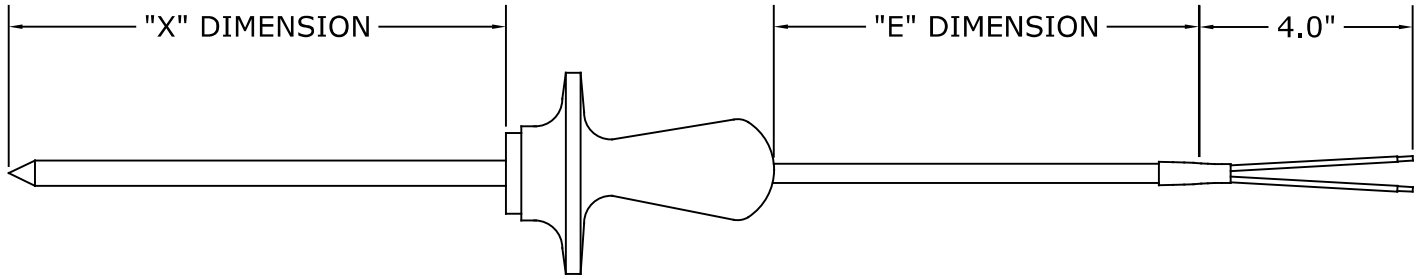
Thermal Solutions Worldwide

## SECTION D

# Food, Dairy and Pharmaceutical Thermocouples and RTDs

<b>Food and Meat Processing Thermocouples</b>	<b>D-1</b>
<b>Sanitary Connected Thermocouples</b>	<b>D-2</b>
<b>Food and Meat Processing RTDs</b>	<b>D-3</b>
<b>Sanitary Connected RTDs</b>	<b>D-4</b>
<b>Sanitary Fitting Styles</b>	<b>D-5</b>

# FOOD AND MEAT PROCESSING THERMOCOUPLES



Penetration style Thermocouples are designed to be used to measure internal temperature of dough, fish, meat, poultry and other food products. They can also be used to measure temperatures of other soft materials such as plastic or rubber. All materials used in the construction of Acrolab's penetration style Thermocouples are FDA compliant for use in sanitary applications. The sheaths are manufactured from 304SS hypodermic tubing with a sharp tip.

1 - 2 - 3 - 4 - 5

Example JMP - 29 - 11 - 36 - 4

1. CALIBRATION	
CODE	CALIBRATION
JMP	SINGLE TYPE J
KMP	SINGLE TYPE K
TMP	SINGLE TYPE T
JJMP*	DUAL TYPE J
KKMP*	DUAL TYPE J
TTMP*	DUAL TYPE T

\* AVAILABLE WITH 0.180" OD SHEATH ONLY

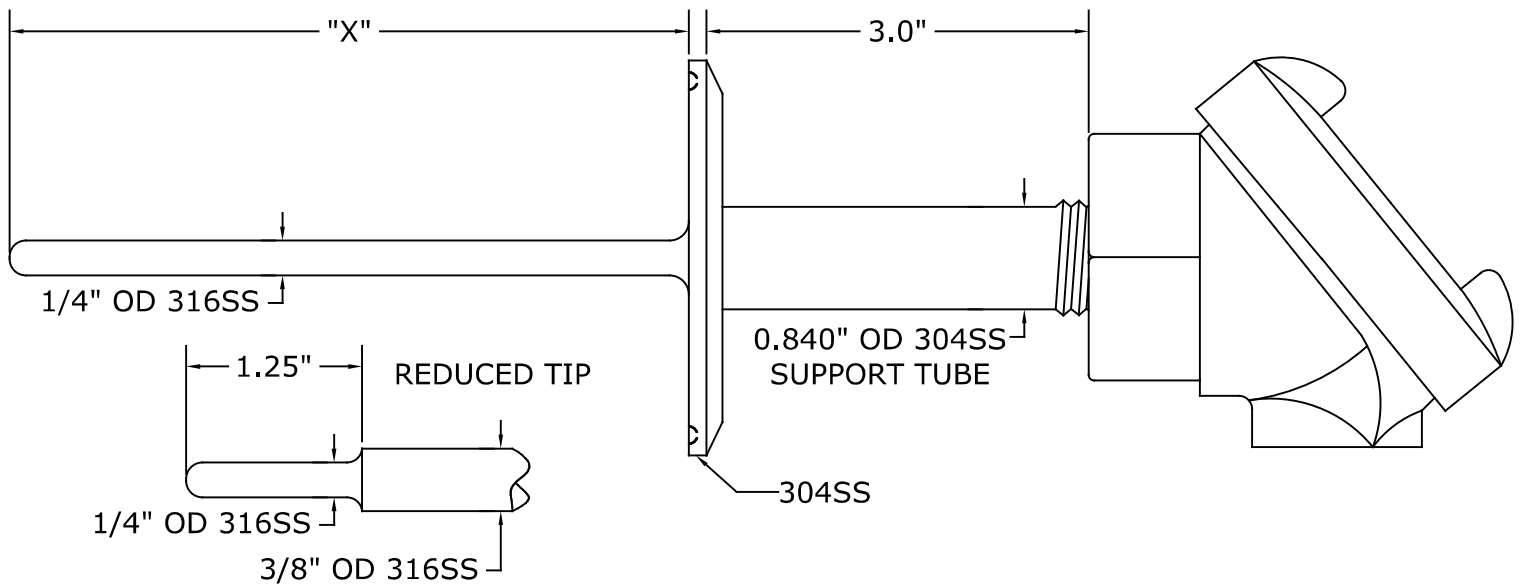
2. DIAMETER	
CODE	DESCRIPTION
29	0.134" OD
39	0.180" OD

3. "X" DIMENSION	
CODE	DESCRIPTION
XX	DIMENSIONS IN INCHES

4. "E" DIMENSION	
CODE	DESCRIPTION
XX	DIMENSIONS IN INCHES

5. OPTIONS	
CODE	DESCRIPTION
2	LEADS - TINNED 1/2", STRIPPED 2"
3	LEADS - STRIPPED 2" WITH SPADE LUGS
4	STANDARD PLUG
5	MINIATURE PLUG
U	UNGROUND
BB	OTHER (DESCRIBE)

# SANITARY CONNECTED THERMOCOUPLES



Clean in place (CIP) style sanitary connected Thermocouples are used in the beverage, chemical, dairy, food and pharmaceutical processing industries. Acrolab offers the most common sanitary caps in the industry and all meet 3-A Sanitary Standard 74-. The sheaths are 316SS and come with a FDA compliant white thermoplastic head. The assemblies provide excellent washdown protection. Reduced tips are offered for faster response time.

**1** - **2** - **3** - **4** - **5**

Example **JMC** - **05** - **2** - **2** - **PP**

1. CALIBRATION	
CODE	CALIBRATION
JSC	SINGLE TYPE J
KSC	SINGLE TYPE K
ESC	SINGLE TYPE E
TSC	SINGLE TYPE T
JJSC	DUAL TYPE J
KKSC	DUAL TYPE K
EESC	DUAL TYPE E
TTSC	DUAL TYPE T

3. SANITARY CAP SIZE	
CODE	DESCRIPTION
1	1 1/2"
2	2"
3	2 1/2"
4	3"
5	OTHER (SPECIFY)

5. OPTIONS	
CODE	DESCRIPTION
22	NO HEAD, 6" TEFLON LEADS
EP	WHITE EPOXY COATED ALUMINUM HEAD
PP	WHITE POLYPROPYLENE HEAD
R	SPRING LOADED T/C OR RTD
RD	REDUCED TIP
SH	316L STAINLESS STEEL HEAD
ST	STAINLESS STEEL TAGS
TR	HEAD MOUNTED TRANSMITTER
U	UNGROUNDING JUNCTION (T/C ONLY)
W	WHITE EPOXY COATING ON HEAD
WS	WIRE SEAL SECURITY SCREWS

2. LENGTH	
CODE	DESCRIPTION
04	4"
05	5"
55	5 1/2"
65	6 1/2"
XX	OTHER (SPECIFY)

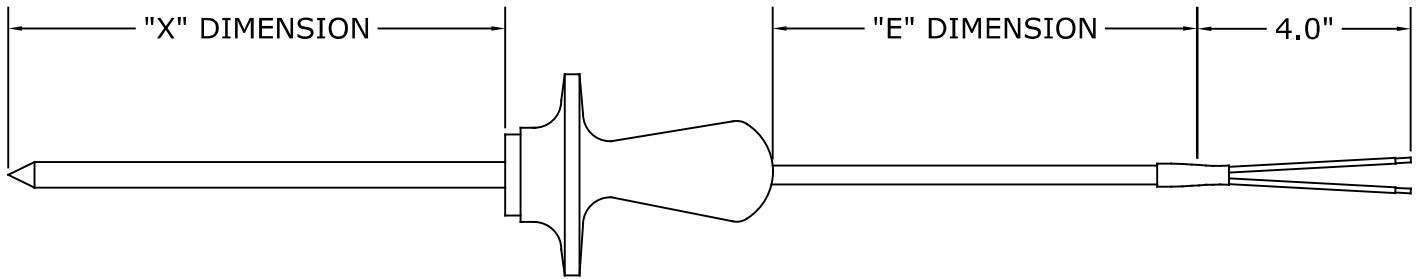
4. SANITARY CAP STYLE	
CODE	DESCRIPTION
2	16A CAP - BEVEL SEAT WITH 13-H NUT *
5	16 AMP CAP - TRI CLAMP <sup>o</sup>
7	16AI-14I CAP **
8	OTHER (DESCRIBE)

\* MUST BE MANUALLY CLEANED  
 \*\* NOT 3A AUTHORIZED



AUTHORIZED  
74-

# FOOD AND MEAT PROCESSING RTDs



Penetration style RTD's are designed to be used to measure internal temperature of dough, fish, meat, poultry and other food products. They can also be used to measure temperatures of other soft materials such as plastic or rubber. All materials used in the construction of Acrolab's penetration style RTD's are FDA compliant for use in sanitary applications. The sheaths are manufactured from 304SS hypodermic tubing with a sharp tip. All assemblies come standard as a 3-wire construction and 0.12% accuracy at 0° C.

1 - 2 - 3 - 4 - 5

Example RTDMP - 29 - 05 - 24 - 5

1. CALIBRATION	
CODE	CALIBRATION
RTDMP*	SINGLE RTD, 100 ohm
RTD/RTDMP*	DUAL RTD, 100 ohm

\* AVAILABLE WITH 0.180" OD SHEATH ONLY

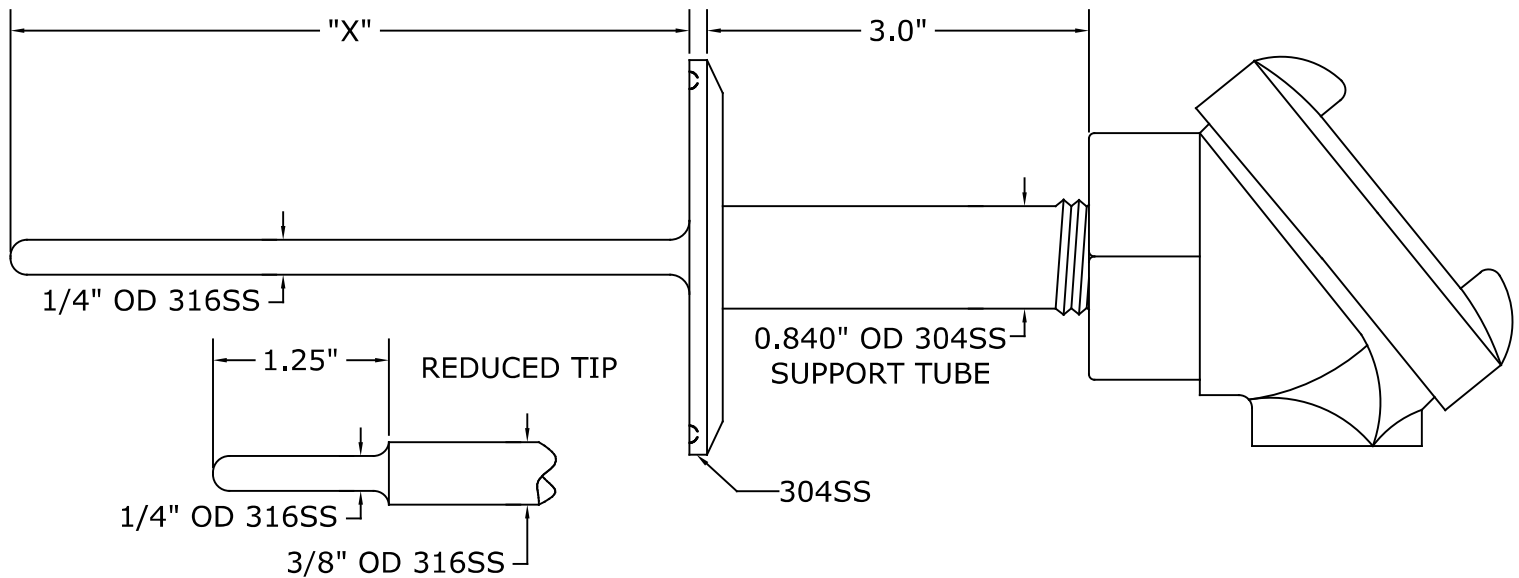
2. DIAMETER	
CODE	DESCRIPTION
29	0.134" OD
39	0.180" OD

3. "X" DIMENSION	
CODE	DESCRIPTION
XX	DIMENSIONS IN INCHES

4. "E" DIMENSION	
CODE	DESCRIPTION
XX	DIMENSIONS IN INCHES

5. OPTIONS	
CODE	DESCRIPTION
2	LEADS - TINNED 1/2", STRIPPED 2"
3	LEADS - STRIPPED 2" WITH SPADE LUGS
4	STANDARD PLUG
5	MINIATURE PLUG
BB	OTHER (DESCRIBE)

# SANITARY CONNECTED RTDs



Clean in place (CIP) style sanitary connected RTD's are used in the beverage, chemical, dairy, food and pharmaceutical processing industries. Acrolab offers the most common sanitary caps in the industry and all meet 3-A Sanitary Standard 74-. The sheaths are 316SS and come with a FDA compliant white thermoplastic head. The assemblies provide excellent washdown protection. Reduced tips are offered for faster response time.

1 - 2 - 3 - 4 - 5

Example RTDSC - 55 - 2 - 7 - 22

1. CALIBRATION	
CODE	CALIBRATION
RTDSC	3-WIRE RTD
RTD/RTDSC	DUAL 3-WIRE RTD

2. LENGTH	
CODE	DESCRIPTION
04	4"
05	5"
55	5 1/2"
65	6 1/2"
XX	OTHER (SPECIFY)

3. SANITARY CAP SIZE	
CODE	DESCRIPTION
1	1 1/2"
2	2"
3	2 1/2"
4	3"
5	OTHER (SPECIFY)

4. SANITARY CAP STYLE	
CODE	DESCRIPTION
2	16A CAP - BEVEL SEAT WITH 13-H NUT *
5	16 AMP CAP - TRI CLAMP <sup>o</sup>
7	16AI-14I CAP **
8	OTHER (DESCRIBE)

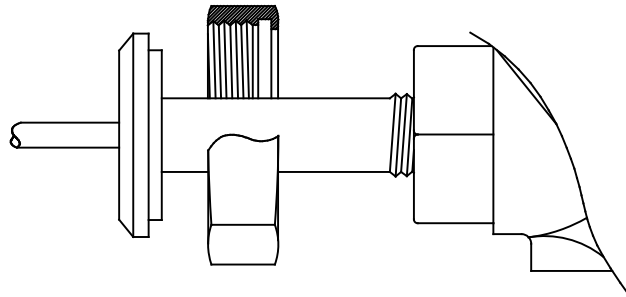
\* MUST BE MANUALLY CLEANED  
 \*\* NOT 3A AUTHORIZED

5. OPTIONS	
CODE	DESCRIPTION
22	NO HEAD, 6" TEFLON LEADS
EP	WHITE EPOXY COATED ALUMINUM HEAD
PP	WHITE POLYPROPYLENE HEAD
R	SPRING LOADED T/C OR RTD
RD	REDUCED TIP
SH	316L STAINLESS STEEL HEAD
ST	STAINLESS STEEL TAGS
TR	HEAD MOUNTED TRANSMITTER
W	WHITE EPOXY COATING ON HEAD
WS	WIRE SEAL SECURITY SCREWS

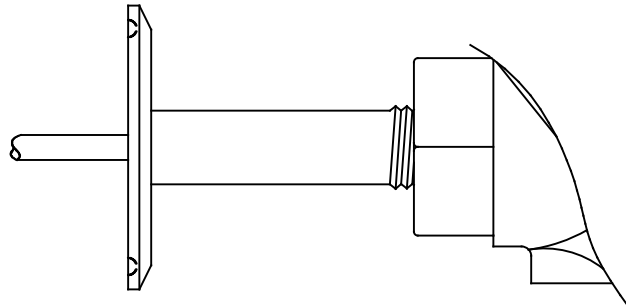


# SANITARY FITTING STYLES

- CAP STYLE 16A (CODE No. 1 WITHOUT NUT)
- CAP STYLE 16A (CODE No. 2 WITH NUT)
- MUST BE MUNUALLY CLEANED



- CAP STYLE 16AMP (CODE No. 5)



- CAP STYLE 16AI-14I (CODE No. 7)
- NOT 3-A AUTHORIZED

