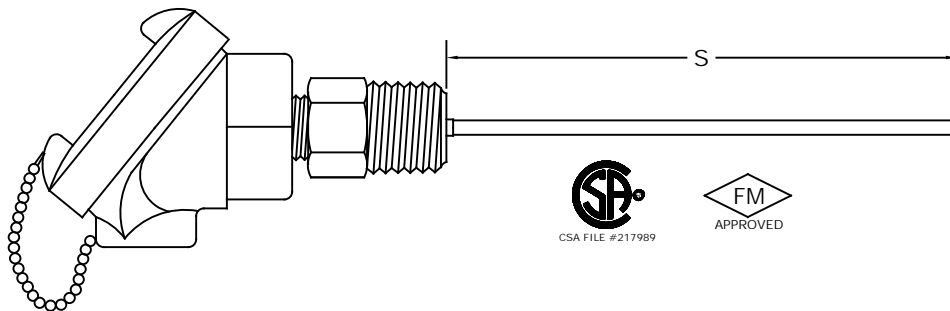


EXPLOSION PROOF APPROVED SPRING LOADED THERMOCOUPLE ASSEMBLIES - MODEL 70-81



Explosion Proof Spring-Loaded Thermocouples are for use in U.S. and Canadian hazardous areas. They are designed to extinguish flames inside the device eliminating the potential for ignition of flammable mixtures in the surrounding atmosphere. FM and CSA approved assemblies, dependant on connection head type, meet XP Class I, Division 1, Group B, C and D; DIP Class II, Division I, Groups E, F, G and Class III, Division 1. Acrolab provides sensors for installation into your existing thermowell or provides the required thermowell as part of the assembly. Refer to the Thermowell Section of this catalog for product selection. The assemblies feature 316 stainless steel sheaths and ungrounded isolated junctions. They are available with aluminum or stainless steel explosion proof connection heads. Note: The "S" dimension will measure 1/4" longer than specified when the spring is in the relaxed position. The "S" dimension is calculated when the sensor is compressed or in the installed position. This design allows 1/4" spring compression to ensure positive contact with the bottom of the thermowell.

1	—	2	3	4	—	5	—	6	—	7	8	Select Type and Range
Example												
XP	—	RTD/RTD	68	3	—	12	—	00	—	71	SB	

1. AGENCY APPROVAL	
CODE	DESCRIPTION
XP	FM/CSA explosion proof approved assembly

2. THERMOCOUPLE TYPES	
CODE	DESCRIPTION
SINGLE	DUPLEX
E	EE
J	JJ
K	KK
T	TT

3. SHEATH DIAMETERS	
CODE	DIAMETER (inches)
28*	1/8 *Not available in Duplex
38	3/16
48	1/4
68	3/8

4. ELEMENT CONNECTION	
CODE	DIAMETER (inches)
2	2 Wire Element
3	3 Wire Element
4*	4 Wire Element *(Not Avail. in Duplex or with 440 Series Transmitter)

5. "X" DIMENSIONS	
Insert three digit sheath length ("X" Dimension) in inches	

6. SHEATH MOUNTING FITTINGS	
CODE	DESCRIPTION
00	No Fitting

7. SHEATH TERMINATIONS	
CODE	DESCRIPTION
71	Cast iron/aluminum explosion proof head Group C WITH 1/2" NPT SS HEX NIPPLE
72	DIN form B aluminum explosion proof head Group B WITH 1/2" NPT SS HEX NIPPLE
74	DIN form B aluminum explosion proof head Group A WITH 1/2" NPT SS HEX NIPPLE
81	316L stainless steel explosion proof head Group C WITH 1/2" NPT SS HEX NIPPLE
82	DIN form B 316 stainless steel explosion proof head Group B WITH 1/2" NPT SS HEX NIPPLE

8. OPTIONS	
CODE	DESCRIPTION
SB	1/2" NPT conduit reducer bushing
I	Stainless steel tag
TR	(4 to 20) mA heat-mounted transmitter [See E7]