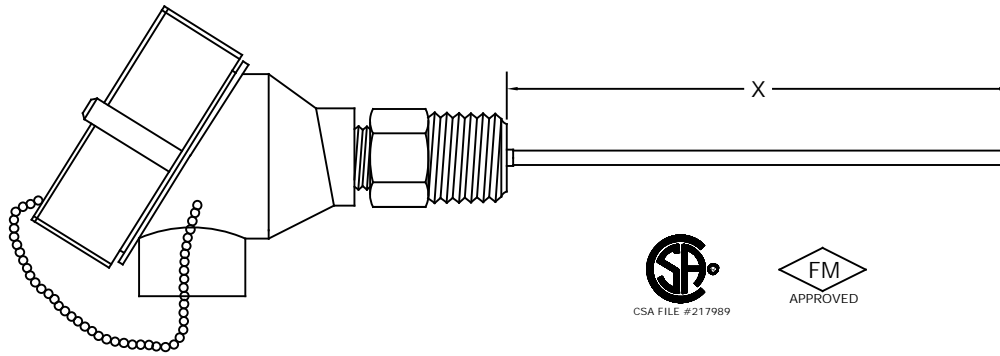


# EXPLOSION PROOF APPROVED FIXED ELEMENT THERMOCOUPLE ASSEMBLIES - MODEL 70-82



Explosion Proof Fixed Element Thermocouples are for use in U.S. and Canadian hazardous areas. They are designed to extinguish flames inside the device eliminating the potential for ignition of flammable mixtures in the surrounding atmosphere. FM and CSA approved assemblies, dependant on connection head type, meet XP Class I, Division 1, Group A, B, C and D; DIP Class II, Division I, Groups E, F, G and Class III, Division 1. They may be installed directly in the process without being inserted into a thermowell. The assemblies feature 316 stainless steel sheaths in various diameter sizes and ungrounded isolated junctions. They are available with or without process mountings and with aluminum or stainless steel explosion proof connection heads.

1	2	3	4	5	6	7	8	TR Only Select Type & Range
Example								
XP	KK	48	2	12	00	72	SB	

1. AGENCY APPROVAL	
CODE	DESCRIPTION
XP	FM/CSA explosion proof approved assembly

2. THERMOCOUPLE TYPES	
CODE	DESCRIPTION
SINGLE	DUPLEX
E	EE
J	JJ
K	KK
T	TT

3. SHEATH DIAMETERS	
CODE	DIAMETER (inches)
28*	1/8 *Not available in Duplex
38	3/16
48	1/4
68	3/8

4. ELEMENT CONNECTION	
CODE	DIAMETER (inches)
2	2 Wire Element
3	3 Wire Element
4*	4 Wire Element *(Not Avail. in Duplex or with 440 Series Transmitter)

5. "X" DIMENSIONS	
Insert three digit sheath length ("X" Dimension) in inches	

6. SHEATH MOUNTING FITTINGS	
CODE	DESCRIPTION
00	No Fitting

7. SHEATH TERMINATIONS	
CODE	DESCRIPTION
71	Cast iron/aluminum explosion proof head Group C WITH 1/2" NPT SS HEX NIPPLE
72	DIN form B aluminum explosion proof head Group B WITH 1/2" NPT SS HEX NIPPLE
74	DIN form B aluminum explosion proof head Group A WITH 1/2" NPT SS HEX NIPPLE
81	316L stainless steel explosion proof head Group C WITH 1/2" NPT SS HEX NIPPLE
82	DIN form B 316 stainless steel explosion proof head Group B WITH 1/2" NPT SS HEX NIPPLE

8. OPTIONS	
CODE	DESCRIPTION
SB	1/2" NPT conduit reducer bushing
I	Stainless steel tag
TR	(4 to 20) mA heat-mounted transmitter [See E7]