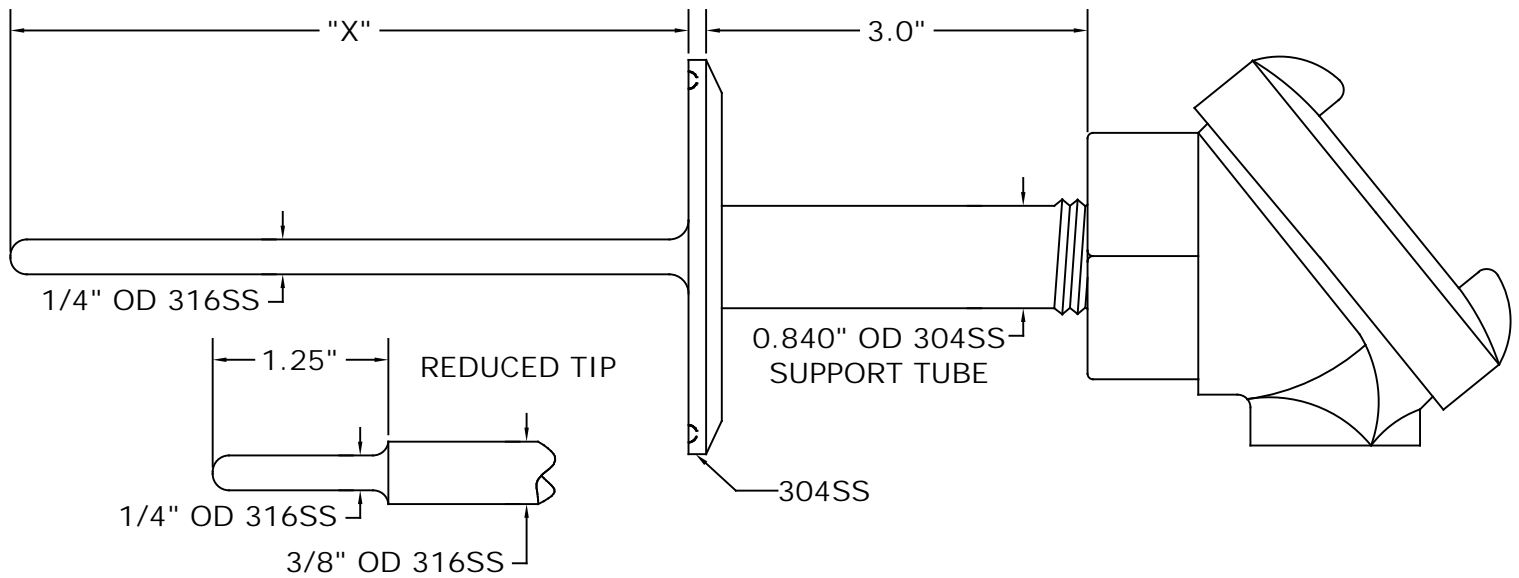


SANITARY CONNECTED RTDs



Clean in place (CIP) style sanitary connected RTD's are used in the beverage, chemical, dairy, food and pharmaceutical processing industries. Acrolab offers the most common sanitary caps in the industry and all meet 3-A Sanitary Standard 74-. The sheaths are 316SS and come with a FDA compliant white thermoplastic head. The assemblies provide excellent washdown protection. Reduced tips are offered for faster response time.

1 - 2 - 3 - 4 - 5

Example RTDSC - 55 - 2 - 7 - 22

1. CALIBRATION	
CODE	CALIBRATION
RTDSC	3-WIRE RTD
RTD/RTDSC	DUAL 3-WIRE RTD

2. LENGTH	
CODE	DESCRIPTION
04	4"
05	5"
55	5 1/2"
65	6 1/2"
XX	OTHER (SPECIFY)

3. SANITARY CAP SIZE	
CODE	DESCRIPTION
1	1 1/2"
2	2"
3	2 1/2"
4	3"
5	OTHER (SPECIFY)

4. SANITARY CAP STYLE	
CODE	DESCRIPTION
2	16A CAP - BEVEL SEAT WITH 13-H NUT *
5	16 AMP CAP - TRI CLAMP ^o
7	16AI-14I CAP **
8	OTHER (DESCRIBE)

* MUST BE MANUALLY CLEANED
** NOT 3A AUTHORIZED

5. OPTIONS	
CODE	DESCRIPTION
22	NO HEAD, 6" TEFLON LEADS
EP	WHITE EPOXY COATED ALUMINUM HEAD
PP	WHITE POLYPROPYLENE HEAD
R	SPRING LOADED T/C OR RTD
RD	REDUCED TIP
SH	316L STAINLESS STEEL HEAD
ST	STAINLESS STEEL TAGS
TR	HEAD MOUNTED TRANSMITTER
W	WHITE EPOXY COATING ON HEAD
WS	WIRE SEAL SECURITY SCREWS

