



Thermal Solutions Worldwide

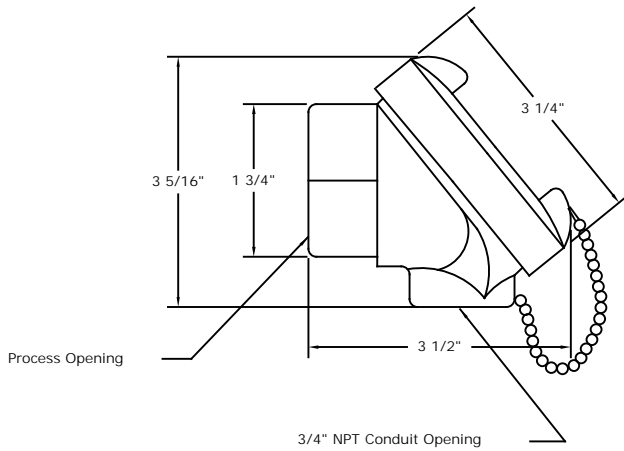
## SECTION G

### Thermocouples and RTD Accessories

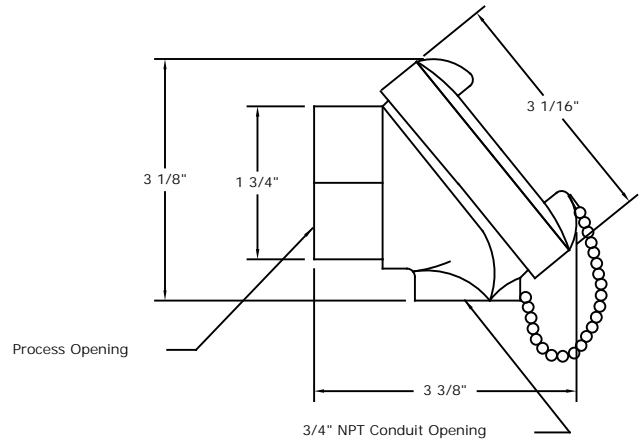
<b>Connection Heads</b>	<b>G-1</b>
<b>Terminal Blocks and Bayonet Adaptors</b>	<b>G-3</b>
<b>Plugs and Jacks</b>	<b>G-4</b>
<b>Strip panels</b>	<b>G-6</b>

# THERMOCOUPLE AND RTD ACCESSORIES

## DIE CAST ALUMINUM

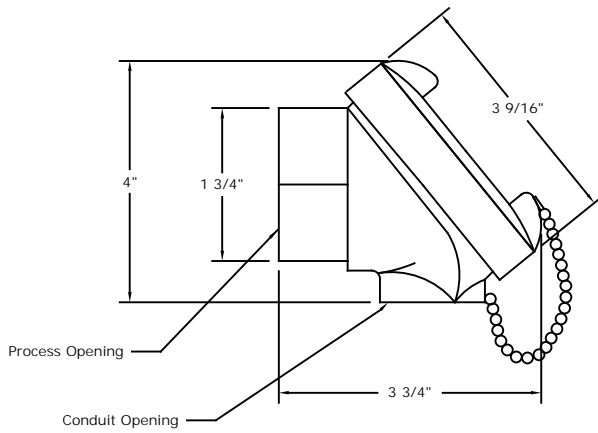


## CAST IRON

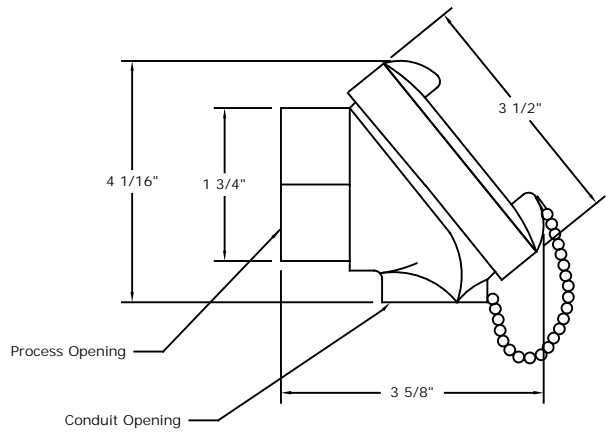


## HAZARDOUS LOCATION RATED

### ALUMINUM



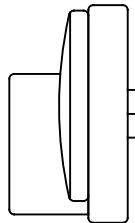
### 316 STAINLESS STEEL



FM / CSA Listed  
 Class I, Division I, Groups B, C, D  
 Class II, Groups E, F, G  
 Nema 4, IP66

FM / CSA Listed  
 Class I, Division I, Groups A, B, C, D  
 Class II, Groups E, F, G  
 Nema 4X, IP66

## GREY PIGMENTED DELRIN CAP



# THERMOCOUPLE AND RTD ACCESSORIES

SCREW COVER HEADS								
HEAD AND CAP MATERIAL	PROCESS OPENING	HEAD AND CAP WITHOUT BLOCK	COMPLETE HEAD AND BLOCK ASSEMBLIES					
			SINGLE	DUPLEX	TRIPLEX			
					2-TERM	3-TERM	4-TERM	6-TERM
DIE CAST ALUMINUM	1/8" NPT	301	311	321	331-2	331-3	331-4	331-6
DIE CAST ALUMINUM	1/4" NPT	302	312	322	332-2	332-3	332-4	332-6
DIE CAST ALUMINUM	3/8" NPT	303	313	323	333-2	333-3	333-4	333-6
DIE CAST ALUMINUM	1/2" NPT	304	314	324	334-2	334-3	334-4	334-6
DIE CAST ALUMINUM	3/4" NPT	305	315	325	335-2	335-3	335-4	335-6
DIE CAST ALUMINUM	1" NPT	306	316	326	336-2	336-3	336-4	336-6
CAST IRON	1/2" NPT	307	317	327	337-2	337-3	337-4	337-6
CAST IRON	3/4" NPT	308	318	328	338-2	338-3	338-4	338-6
CAST IRON	1" NPT	309	319	329	339-2	339-3	339-4	339-6
CAST IRON	1" NPT	309	319	329	339-2	339-3	339-4	339-6
316L SS	1/2" NPT	904	914	924	934-2	934-3	934-4	934-6
316L SS	3/4" NPT	905	915	925	935-2	935-3	935-4	935-6

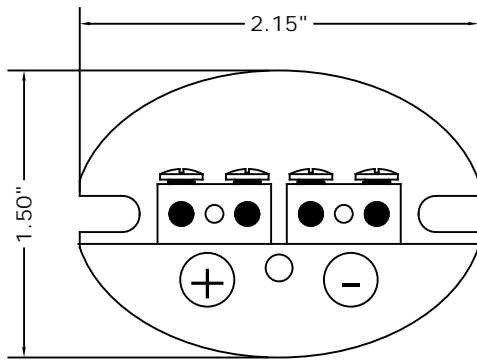
HEAD AND CAP MATERIAL	PROCESS OPENING	NO TERMINALS	NUMBER OF SELF-CONTAINED TERMINALS		
			2	3	6
GREY PIGMENTED DELRIN	1/2" NPT	390	392	393	396
WHITE POLYPROPYLENE	1/2" NPT	480	482	483	484

SCREW COVER HEAD OPTIONS	
CODE	DESCRIPTION
B	INTERNAL GROUND SCREW
R	RUBBER GASKET
W	PROTECTIVE WHITE EPOXY COATING

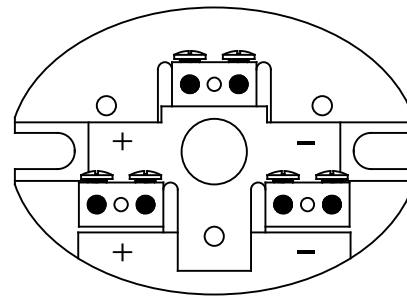
EXAMPLE PART NUMBER: 331-2W  
 DIE CAST ALUMINUM SCREW COVER  
 WITH 2 TERMINAL TRIPLEX TERMINAL  
 BLOCK AND PROTECTIVE WHITE  
 EPOXY COATING

# THERMOCOUPLE AND RTD ACCESSORIES

CERAMIC TERMINAL BLOCKS		
TERMINAL BLOCK TYPE	NUMBER OF TERMINALS	PART NUMBER
SINGLE	2	341
DUPLEX	4	342
TRIPLEX	2	343-2
TRIPLEX	3	343-3
TRIPLEX	4	343-4
TRIPLEX	6	343-6



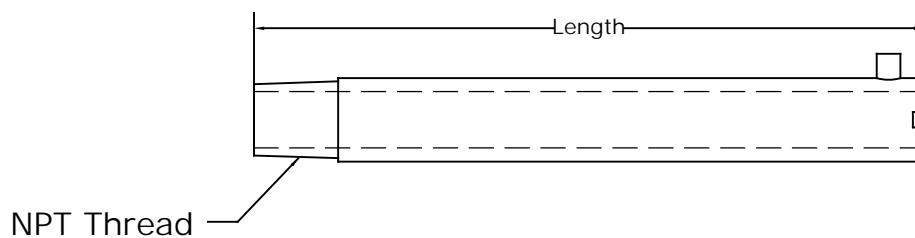
341 BLOCK



343-3 BLOCK

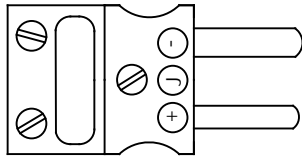
BAYONET ADAPTORS			
MATERIAL	LENGTH	THREAD	PART NUMBER
STEEL, ZINC PLATING	7/8"	1/8-27 NPT	A-01
STEEL, ZINC PLATING	7/8"	3/8-NF-2	A-02
STEEL, ZINC PLATING	1 3/8"	1/8-27 NPT	A-03
STEEL, ZINC PLATING	1 3/8"	3/8-NF-2	A-04

\* OTHER MATERIALS, LENGTHS AND THREAD SIZES AVAILABLE

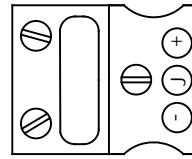


# THERMOCOUPLE AND RTD ACCESSORIES

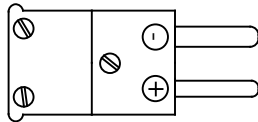
STANDARD PLUG, 2 PIN



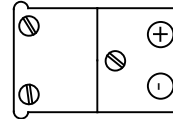
STANDARD JACK, 2 PIN



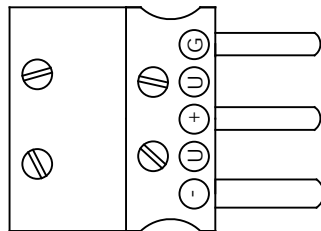
MINIATURE PLUG, 2 PIN



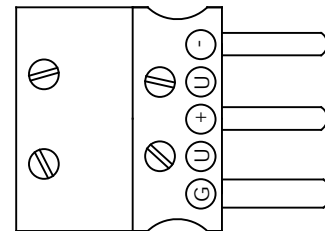
MINIATURE JACK, 2 PIN



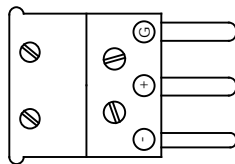
STANDARD PLUG, 3 PIN



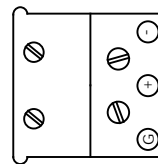
STANDARD JACK, 3 PIN



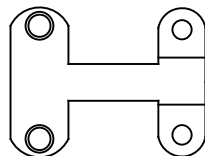
MINIATURE PLUG, 3 PIN



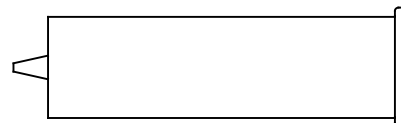
MINIATURE JACK, 3 PIN



CABLE CLAMP



NEOPRENE BOOT



# THERMOCOUPLE AND RTD ACCESSORIES

THERMOCOUPLE AND RTD CONNECTORS			
TYPE	CALIBRATION	STANDARD SIZE PART NUMBER	MINIATURE PART NUMBER
PLUG, 2 PIN	E	A2000E <sup>1</sup>	AM2000E <sup>2</sup>
PLUG, 2 PIN	J	A2000J <sup>1</sup>	AM2000J <sup>2</sup>
PLUG, 2 PIN	K	A2000K <sup>1,4</sup>	AM2000K <sup>2</sup>
PLUG, 2 PIN	N	A2000N <sup>1</sup>	AM2000N <sup>2</sup>
PLUG, 2 PIN	R	A2000R <sup>1</sup>	AM2000R <sup>2</sup>
PLUG, 2 PIN	T	A2000T <sup>1</sup>	AM2000T <sup>2</sup>
PLUG, 2 PIN	RTD	A2000RTD <sup>1</sup>	AM2000RTD <sup>2</sup>
PLUG, 3 PIN	E	A8000E <sup>3</sup>	AM8000E
PLUG, 3 PIN	J	A8000J <sup>3</sup>	AM8000J
PLUG, 3 PIN	K	A8000K <sup>3</sup>	AM8000K
PLUG, 3 PIN	R	A8000R <sup>3</sup>	AM8000R
PLUG, 3 PIN	T	A8000T <sup>3</sup>	AM8000T
PLUG, 3 PIN	RTD	A8000RTD <sup>3</sup>	AM8000RTD
JACK, 2 PIN	E	A1000E <sup>2</sup>	AM1000E
JACK, 2 PIN	J	A1000J <sup>2</sup>	AM1000J <sup>2</sup>
JACK, 2 PIN	K	A1000K <sup>2,4</sup>	AM1000K <sup>2</sup>
JACK, 2 PIN	N	A1000N <sup>2</sup>	AM1000N
JACK, 2 PIN	R	A1000R <sup>2</sup>	AM1000R
JACK, 2 PIN	T	A1000T <sup>2</sup>	AM1000T
JACK, 2 PIN	RTD	A1000RTD <sup>2</sup>	AM1000RTD
JACK, 3 PIN	E	A9000E	AM9000E
JACK, 3 PIN	J	A9000J	AM9000J
JACK, 3 PIN	K	A9000K	AM9000K
JACK, 3 PIN	R	A9000R	AM9000R
JACK, 3 PIN	T	A9000T	AM9000T
JACK, 3 PIN	RTD	A9000RTD	AM9000RTD
CABLE CLAMP	ALL	A4000	A4000M
NEOPRENE BOOT	FOR 2-PIN CONNECTORS ONLY	A420	N/A

1 = ALSO AVAILABLE IN SOLID PIN, JAB-IN AND HIGH TEMP

2 = ALSO AVAILABLE IN HIGH TEMP

3. = ALSO AVAILABLE IN SOLID PIN

4. = ALSO AVAILABLE IN 8 GAUGE JAB-IN

# STRIP PANLES, 2 POLE

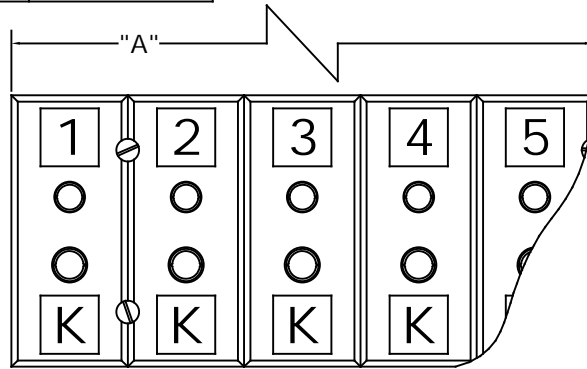
COMPLETE ORDER NUMBER

1 - 2 - 3

1. NUMBER OF CIRCUITS		
CIRCUITS	A LENGTH	CODE
2 CIRCUIT	1.50"	A1032-2
3 CIRCUIT	2.25"	A1032-3
4 CIRCUIT	3.0"	A1032-4
5 CIRCUIT	3.75"	A1032-5
6 CIRCUIT	4.50"	A1032-6
7 CIRCUIT	5.25"	A1032-7
8 CIRCUIT	6.0"	A1032-8
9 CIRCUIT	6.75"	A1032-9
10 CIRCUIT	7.50"	A1032-10
11 CIRCUIT	8.25"	A1032-11
12 CIRCUIT	9.0"	A1032-12

2. CALIBRATION
CODE
C
E
J
K
N
R
S
T
RTD

3. OPTIONS	
CODE	DESCRIPTION
V	VERTICAL STRIPANEL
1132	ALL STRIPANELS ARE AVAILABLE IN HIGH TEMP. SUBSTITUTE A1032 WITH A1132



# JACK PANEL, 2 POLE

COMPLETE ORDER NUMBER

1 - 2

1. NUMBER OF CIRCUITS	
TYPE	CODE
STANDARD	A1031
HI-TEMP	A1131

2. CALIBRATION
CODE
C
E
J
K
N
R
S
T
RTD

