



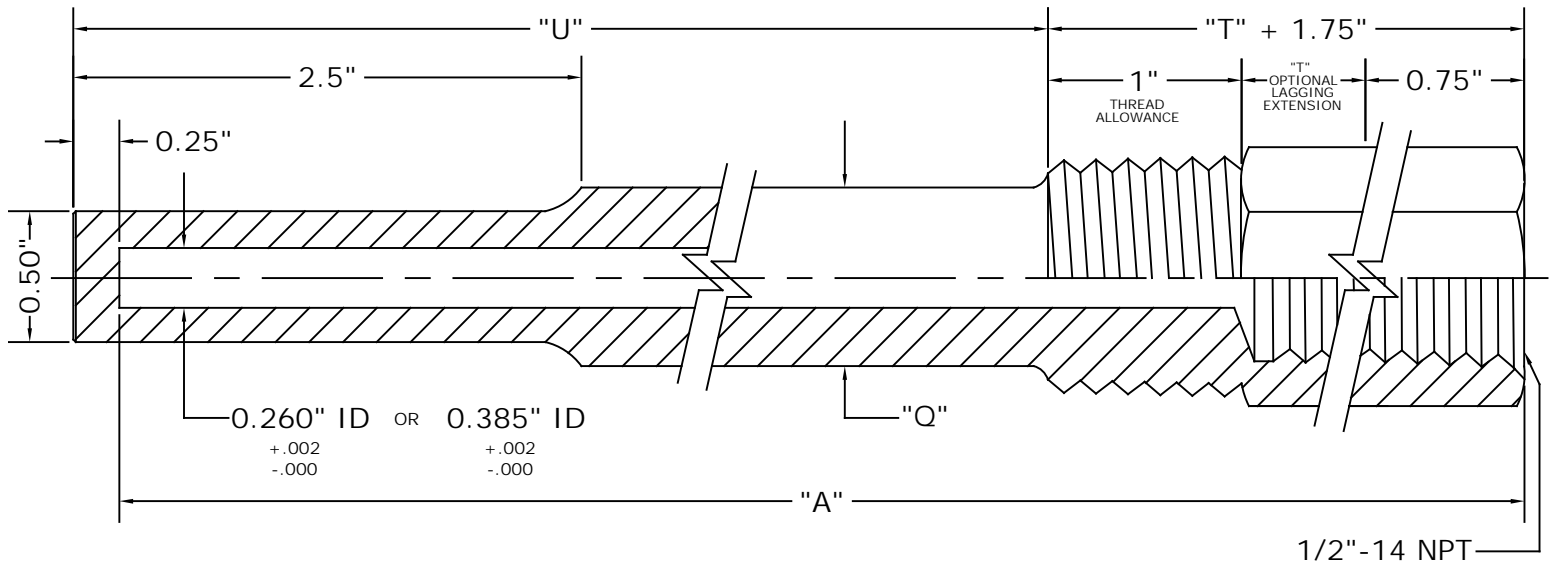
Thermal Solutions Worldwide

SECTION F

Thermowells

Threaded Stepped Thermowells	F-1
Threaded Straight Thermowells	F-2
Threaded Tapered Thermowells	F-3
Weld-In Thermowells	F-4
Tapered Socket Weld Thermowells	F-5
Straight Socket Weld Thermowells	F-6
Stepped Socket Weld Thermowells	F-7
Flanged Stepped Thermowells	F-8
Flanged Straight Thermowells	F-9
Flanged Tapered Thermowells	F-10
Vanstone Stepped Thermowells	F-11
Vanstone Straight Thermowells	F-12
Vanstone Tapered Thermowells	F-13
Thermocouple Assemblies With Pressure Tight Wells	F-14
RTD Assemblies With Pressure Tight Wells	F-15

THREADED STEPPED THERMOWELLS



1 2 - 3 - 4 - 5 - 6

1. BORE SIZE	
CODE	BORE SIZE
260	0.260" ID
385	0.385" ID

2. THERMOWELL STYLES	
CODE	THERMOWELL STYLE
S	STEPPED

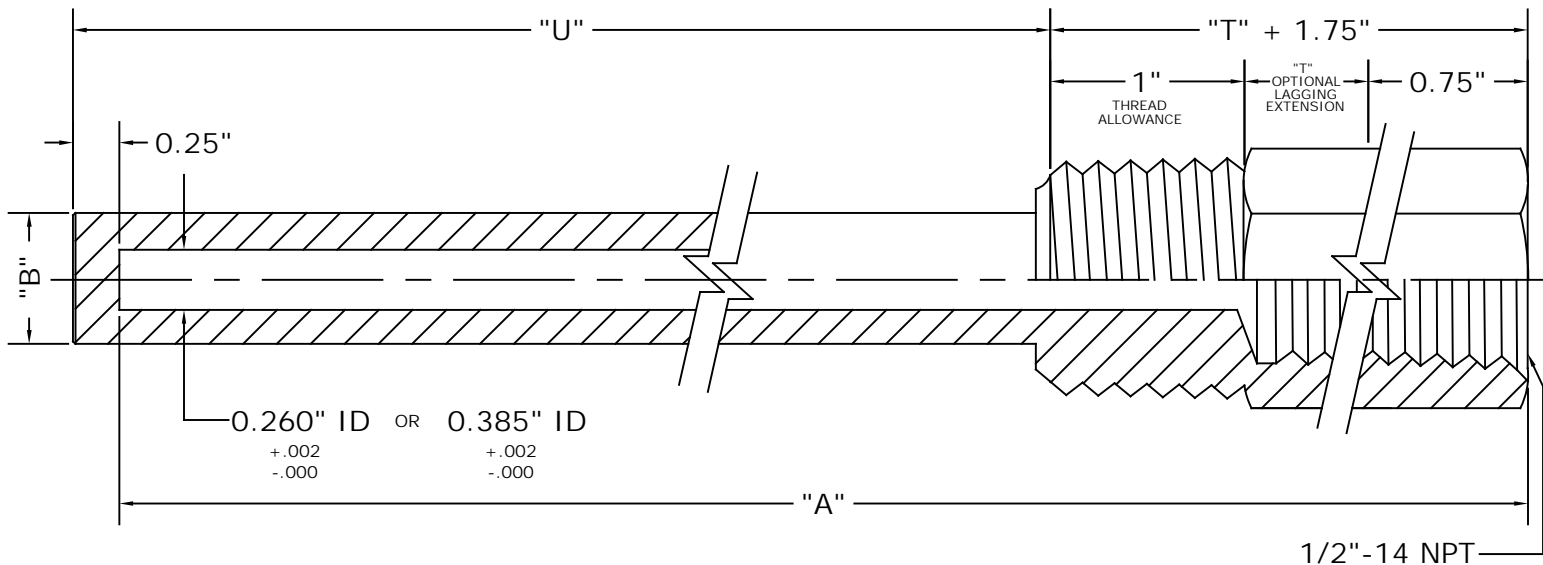
3. PROCESS THREAD		
CODE	DESCRIPTION	"P" SIZE
50	1/2" NPT (0.260" BORE ONLY)	0.625"
75	3/4" NPT	0.750"
100	1" NPT	0.875"

4. LAGGING EXTENSION	
CODE	DESCRIPTION
O	NONE
L	LAGGING EXTENSION

5. LENGTH			
CODE	"A" DIMENSION	"U" DIMENSION	"T" DIMENSION
04	4	2.5"	0
06	6	4.5"	0
	6	2.5"	2
09	9	7.5"	0
	9	4.5"	3
12	12	10.5"	0
	12	7.5"	3
15	15	13.5"	0
	15	10.5"	3
18	18	16.5"	0
	18	13.5"	3
24	24	22.5"	0
	24	19.5"	3
XX	SPECIFY SPECIAL "U" DIMENSION		

6. STEM MATERIAL	
CODE	MATERIAL
1	BRASS (ASTM B-16)
2	CARBON STEEL (C-1018)
3	304 SS
4	316 SS
5	MONEL
6	OTHER (SPECIFY)

THREADED STRAIGHT THERMOWELLS



1 2 - 3 - 4 - 5 - 6

1. BORE SIZE	
CODE	BORE SIZE
260	0.260" ID
385	0.385" ID

2. THERMOWELL STYLES	
CODE	THERMOWELL STYLE
ST	STRAIGHT

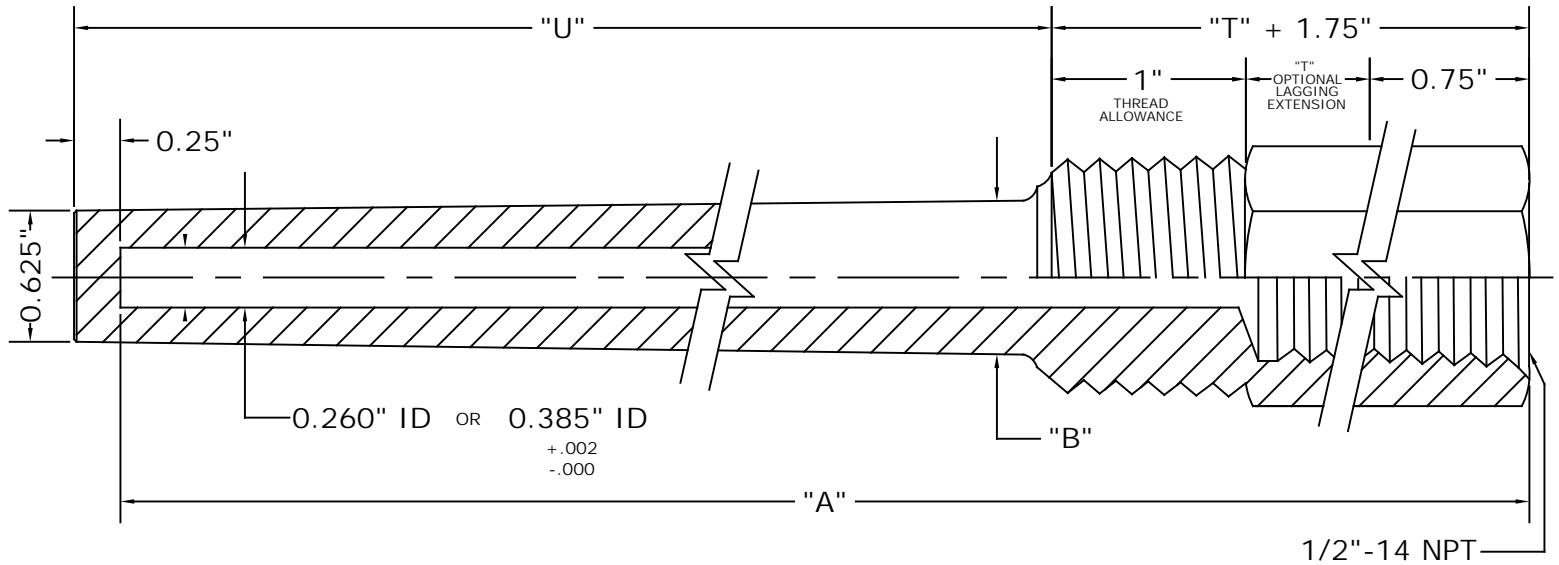
3. PROCESS THREAD		
CODE	DESCRIPTION	"B" DIA
50	1/2" NPT (0.260" BORE ONLY)	0.625"
75	3/4" NPT	0.750"
100	1" NPT	0.750"

4. LAGGING EXTENSION	
CODE	DESCRIPTION
O	NONE
L	LAGGING EXTENSION

5. LENGTH			
CODE	"A" DIMENSION	"U" DIMENSION	"T" DIMENSION
04	4	2.5"	0
06	6	4.5"	0
	6	2.5"	2
09	9	7.5"	0
	9	4.5"	3
12	12	10.5"	0
	12	7.5"	3
15	15	13.5"	0
	15	10.5"	3
18	18	16.5"	0
	18	13.5"	3
24	24	22.5"	0
	24	19.5"	3
XX	SPECIFY SPECIAL "U" DIMENSION		

6. STEM MATERIAL	
CODE	MATERIAL
1	BRASS (ASTM B-16)
2	CARBON STEEL (C-1018)
3	304 SS
4	316 SS
5	MONEL
6	OTHER (SPECIFY)

THREADED TAPERED THERMOWELLS



1 2 - 3 - 4 - 5 - 6

1. BORE SIZE	
CODE	BORE SIZE
260	0.260" ID
385	0.385" ID

2. THERMOWELL STYLES	
CODE	THERMOWELL STYLE
T	TAPARED

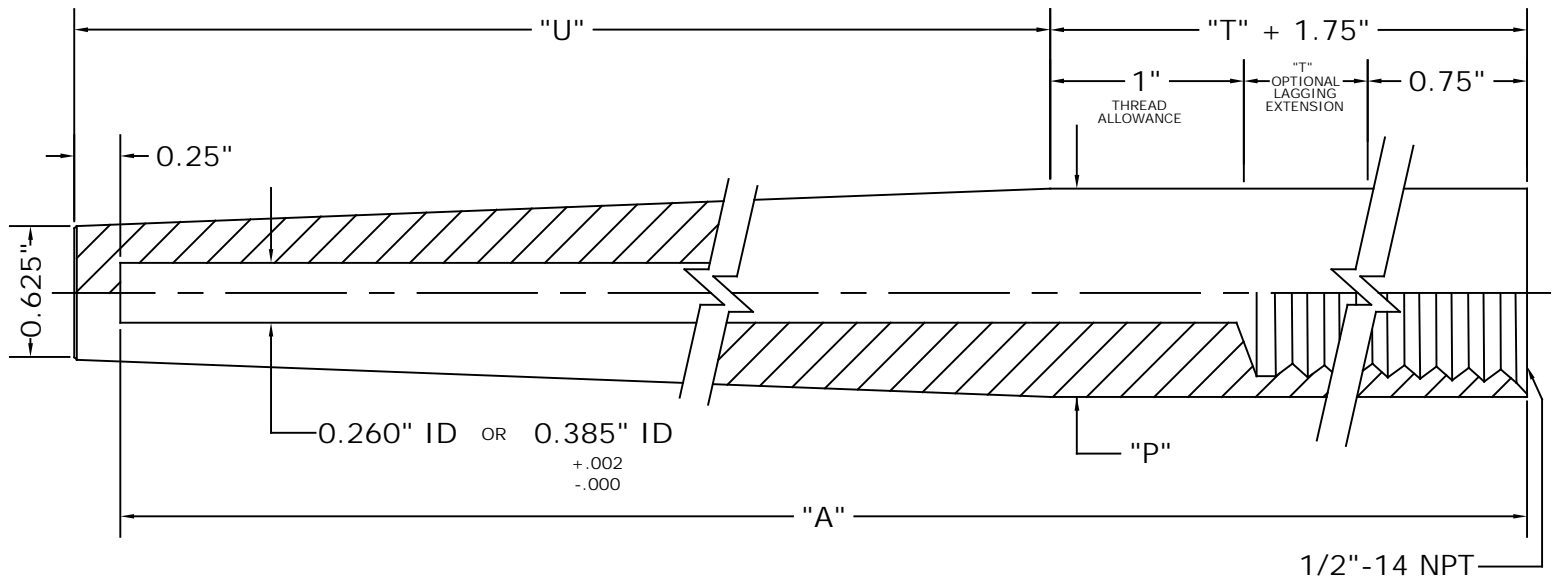
3. PROCESS THREAD		
CODE	DESCRIPTION	"B" DIA
50	1/2" NPT (0.260" BORE ONLY)	0.625"
75	3/4" NPT	0.875"
100	1" NPT	1.0625"

4. LAGGING EXTENSION	
CODE	DESCRIPTION
O	NONE
L	LAGGING EXTENSION

5. LENGTH			
CODE	"A" DIMENSION	"U" DIMENSION	"T" DIMENSION
04	4	2.5"	0
06	6	4.5"	0
	6	2.5"	2
09	9	7.5"	0
	9	4.5"	3
12	12	10.5"	0
	12	7.5"	3
15	15	13.5"	0
	15	10.5"	3
18	18	16.5"	0
	18	13.5"	3
24	24	22.5"	0
	24	19.5"	3
XX	SPECIFY SPECIAL "U" DIMENSION		

6. STEM MATERIAL	
CODE	MATERIAL
1	BRASS (ASTM B-16)
2	CARBON STEEL (C-1018)
3	304 SS
4	316 SS
5	MONEL
6	OTHER (SPECIFY)

WELD-IN THERMOWELLS



1 2 - 3 - 4 - 5 - 6

1. BORE SIZE	
CODE	BORE SIZE
260	0.260" ID
385	0.385" ID

2. THERMOWELL STYLES	
CODE	THERMOWELL STYLE
W	WELD-IN

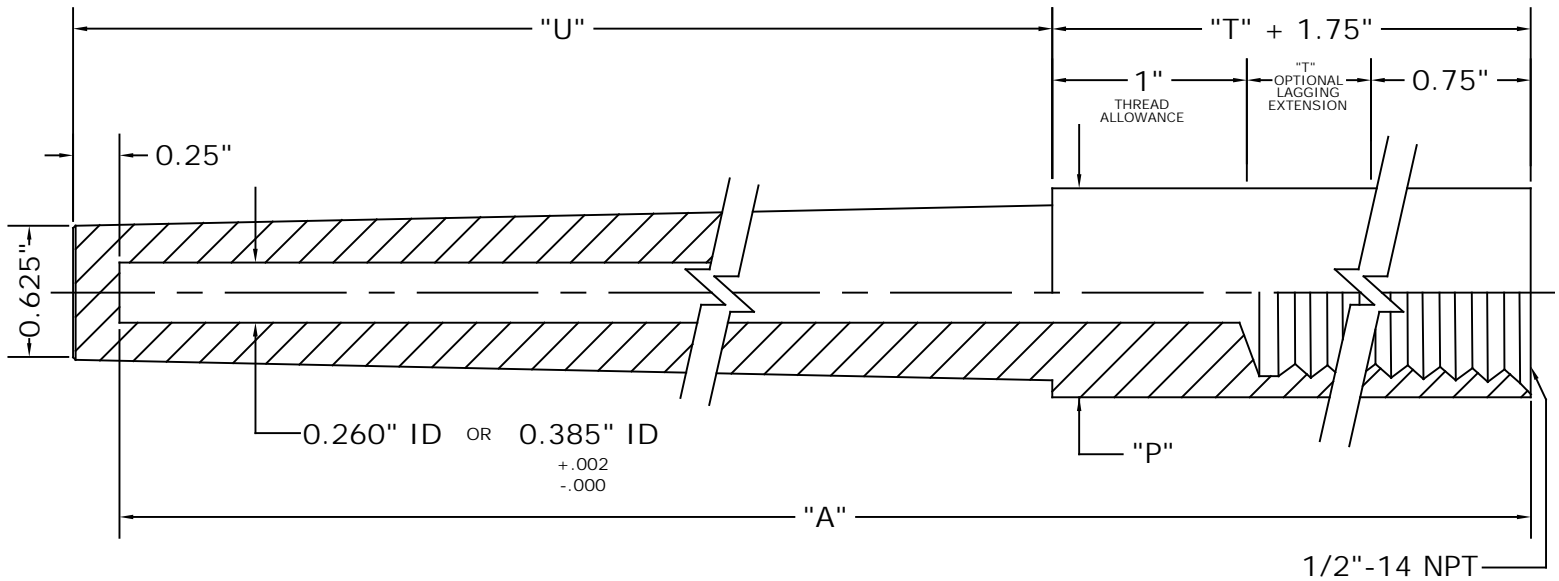
3. PROCESS THREAD	
CODE	"P" DIMENSION
125	1.250"
150	1.500"
175	1.750"

4. LAGGING EXTENSION	
CODE	DESCRIPTION
O	NONE
L	LAGGING EXTENSION

5. LENGTH			
CODE	"A" DIMENSION	"U" DIMENSION	"T" DIMENSION
04	4	2.5"	0
06	6	4.5"	0
	6	2.5"	2
09	9	7.5"	0
	9	4.5"	3
12	12	10.5"	0
	12	7.5"	3
15	15	13.5"	0
	15	10.5"	3
18	18	16.5"	0
	18	13.5"	3
24	24	22.5"	0
	24	19.5"	3
XX	SPECIFY SPECIAL "U" DIMENSION		

6. STEM MATERIAL	
CODE	MATERIAL
1	BRASS (ASTM B-16)
2	CARBON STEEL (C-1018)
3	304 SS
4	316 SS
5	MONEL
6	OTHER (SPECIFY)

TAPERED SOCKET WELD THERMOWELLS



1 2 - 3 - 4 - 5 - 6

1. BORE SIZE	
CODE	BORE SIZE
260	0.260" ID
385	0.385" ID

2. THERMOWELL STYLES	
CODE	THERMOWELL STYLE
SWT	SOCKET WELD, TAPERED

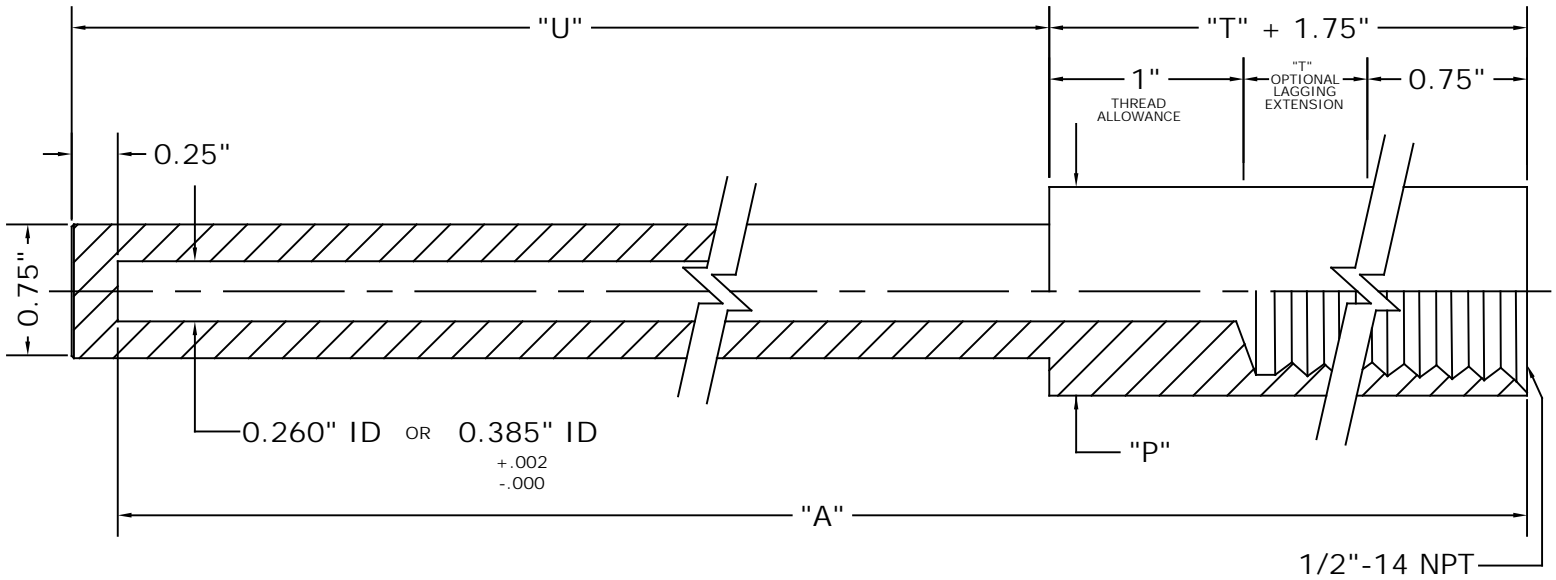
3. PROCESS THREAD	
CODE	"P" DIMENSION
75	0.750"
100	1.0"

4. LAGGING EXTENSION	
CODE	DESCRIPTION
O	NONE
L	LAGGING EXTENSION

5. LENGTH			
CODE	"A" DIMENSION	"U" DIMENSION	"T" DIMENSION
04	4	2.5"	0
06	6	4.5"	0
09	9	7.5"	0
09	9	4.5"	3
12	12	10.5"	0
12	12	7.5"	3
15	15	13.5"	0
15	15	10.5"	3
18	18	16.5"	0
18	18	13.5"	3
24	24	22.5"	0
24	24	19.5"	3
XX	SPECIFY SPECIAL "U" DIMENSION		

6. STEM MATERIAL	
CODE	MATERIAL
1	BRASS (ASTM B-16)
2	CARBON STEEL (C-1018)
3	304 SS
4	316 SS
5	MONEL
6	OTHER (SPECIFY)

STRAIGHT SOCKET WELD THERMOWELLS



1 2 - 3 - 4 - 5 - 6

1. BORE SIZE	
CODE	BORE SIZE
260	0.260" ID
385	0.385" ID

2. THERMOWELL STYLES	
CODE	THERMOWELL STYLE
SWST	SOCKET WELD, STRAIGHT

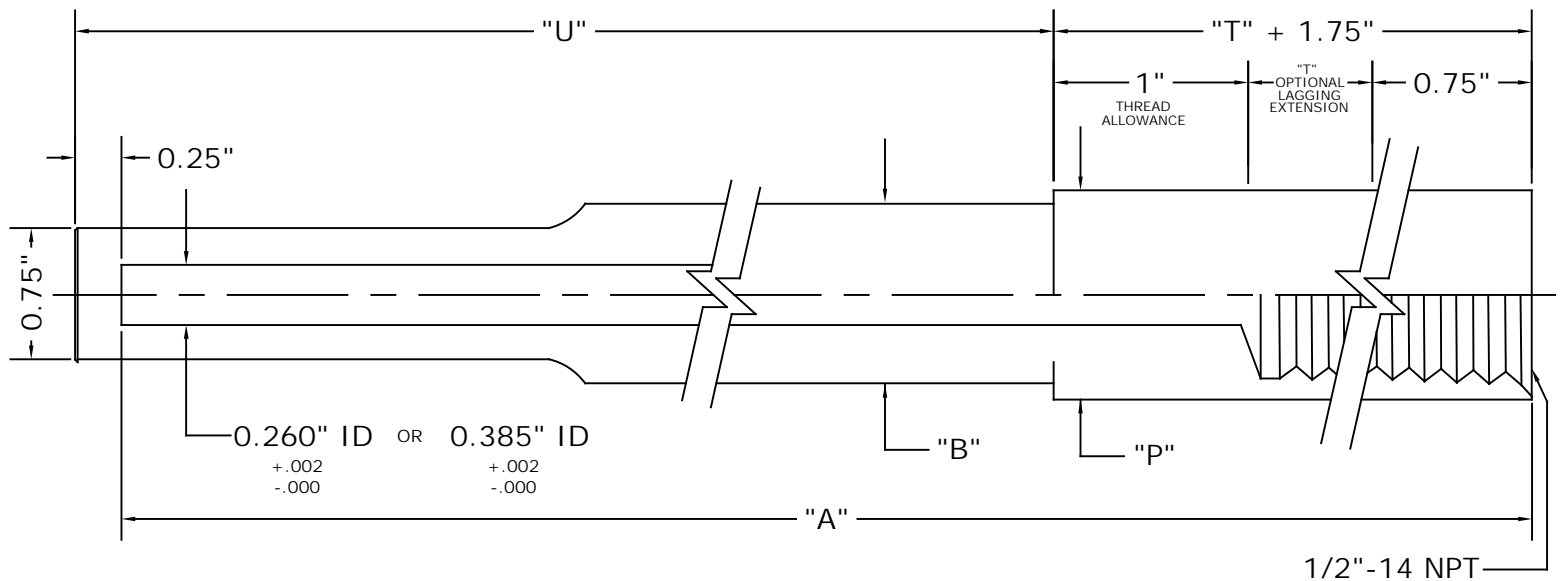
3. PROCESS THREAD	
CODE	"P" DIMENSION
75	0.750"
100	1.0"

4. LAGGING EXTENSION	
CODE	DESCRIPTION
O	NONE
L	LAGGING EXTENSION

5. LENGTH			
CODE	"A" DIMENSION	"U" DIMENSION	"T" DIMENSION
04	4	2.5"	0
06	6	4.5"	0
	6	2.5"	2
09	9	7.5"	0
	9	4.5"	3
12	12	10.5"	0
	12	7.5"	3
15	15	13.5"	0
	15	10.5"	3
18	18	16.5"	0
	18	13.5"	3
24	24	22.5"	0
	24	19.5"	3
XX	SPECIFY SPECIAL "U" DIMENSION		

6. STEM MATERIAL	
CODE	MATERIAL
1	BRASS (ASTM B-16)
2	CARBON STEEL (C-1018)
3	304 SS
4	316 SS
5	MONEL
6	OTHER (SPECIFY)

STEPPED SOCKET WELD THERMOWELLS



1 2 - 3 - 4 - 5 - 6

1. BORE SIZE	
CODE	BORE SIZE
260	0.260" ID
385	0.385" ID

2. THERMOWELL STYLES	
CODE	THERMOWELL STYLE
SWST	SOCKET WELD, STRAIGHT

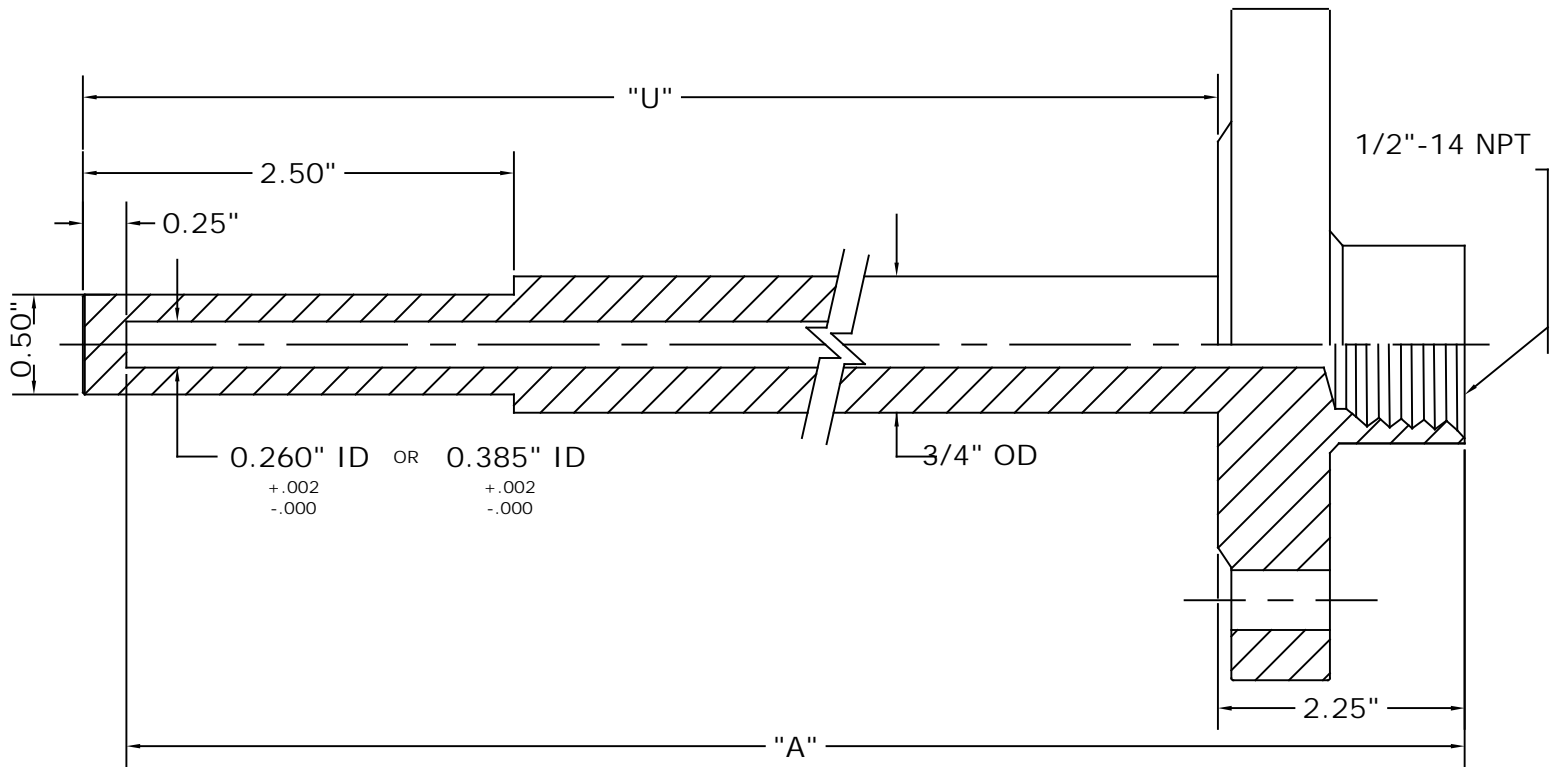
3. PROCESS THREAD		
CODE	"P" DIMENSION	"B" DIMENSION
75	0.750"	0.750"
100	1.0"	0.875"

4. LAGGING EXTENSION	
CODE	DESCRIPTION
O	NONE
L	LAGGING EXTENSION

5. LENGTH			
CODE	"A" DIMENSION	"U" DIMENSION	"T" DIMENSION
04	4	2.5"	0
06	6	4.5"	0
	6	2.5"	2
09	9	7.5"	0
	9	4.5"	3
12	12	10.5"	0
	12	7.5"	3
15	15	13.5"	0
	15	10.5"	3
18	18	16.5"	0
	18	13.5"	3
24	24	22.5"	0
	24	19.5"	3
XX	SPECIFY SPECIAL "U" DIMENSION		

6. STEM MATERIAL	
CODE	MATERIAL
1	BRASS (ASTM B-16)
2	CARBON STEEL (C-1018)
3	304 SS
4	316 SS
5	MONEL
6	OTHER (SPECIFY)

FLANGED STEPPED THERMOWELLS



1 2 - 3 - 4 - 5 - 6 - 7

1. BORE SIZE	
CODE	BORE SIZE
260	0.260" ID
385	0.385" ID

2. THERMOWELL STYLES	
CODE	THERMOWELL STYLE
FS	FLANGED, STEPPED

3. FLANGE SIZE	
CODE	DESCRIPTION
100	1.0"
150	1.50"
200	2.0"

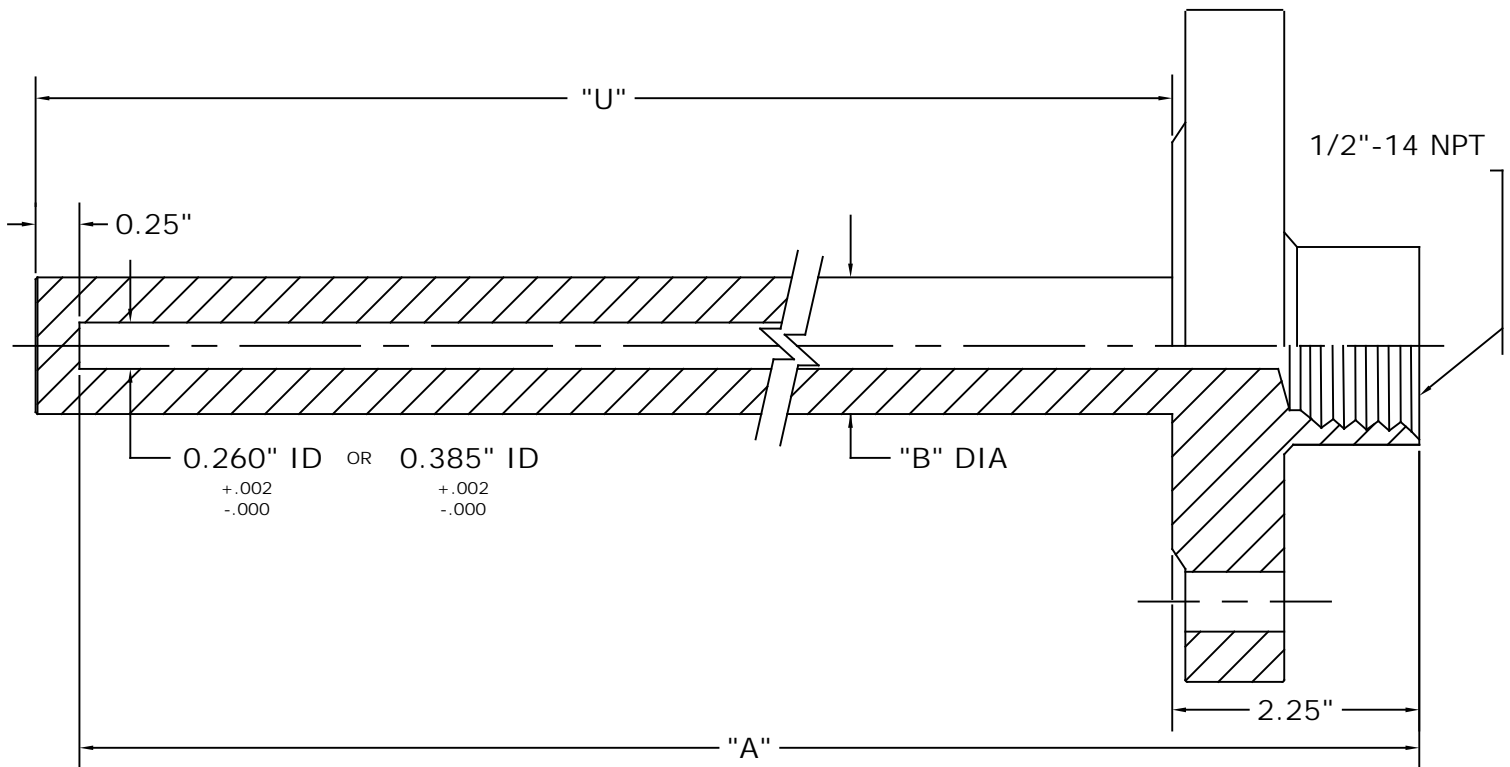
4. FLANGE RATING	
CODE	DESCRIPTION
1	150 lbs
2	300 lbs
3	600 lbs

5. LENGTH		
CODE	"A" DIMENSION	"U" DIMENSION
06	6	4.0"
09	9	7.0"
12	12	10.0"
15	15	13.0"
18	18	16.0"
24	24	22.0"
XX	SPECIFY SPECIAL "U" DIMENSION	

6. STEM MATERIAL	
CODE	MATERIAL
1	BRASS (ASTM B-16)
2	CARBON STEEL (C-1018)
3	304 SS
4	316 SS
5	MONEL
6	OTHER (SPECIFY)

7. FLANGE MATERIAL	
CODE	MATERIAL
1	BRASS (ASTM B-16)
2	CARBON STEEL (C-1018)
3	304 SS
4	316 SS
5	MONEL
6	OTHER (SPECIFY)

FLANGED STRAIGHT THERMOWELLS



1 2 - 3 - 4 - 5 - 6 - 7

1. BORE SIZE	
CODE	BORE SIZE
260	0.260" ID
385	0.385" ID

2. THERMOWELL STYLES	
CODE	THERMOWELL STYLE
FST	FLANGED, STRAIGHT

3. FLANGE SIZE	
CODE	DESCRIPTION
100	1.0"
150	1.50"
200	2.0"

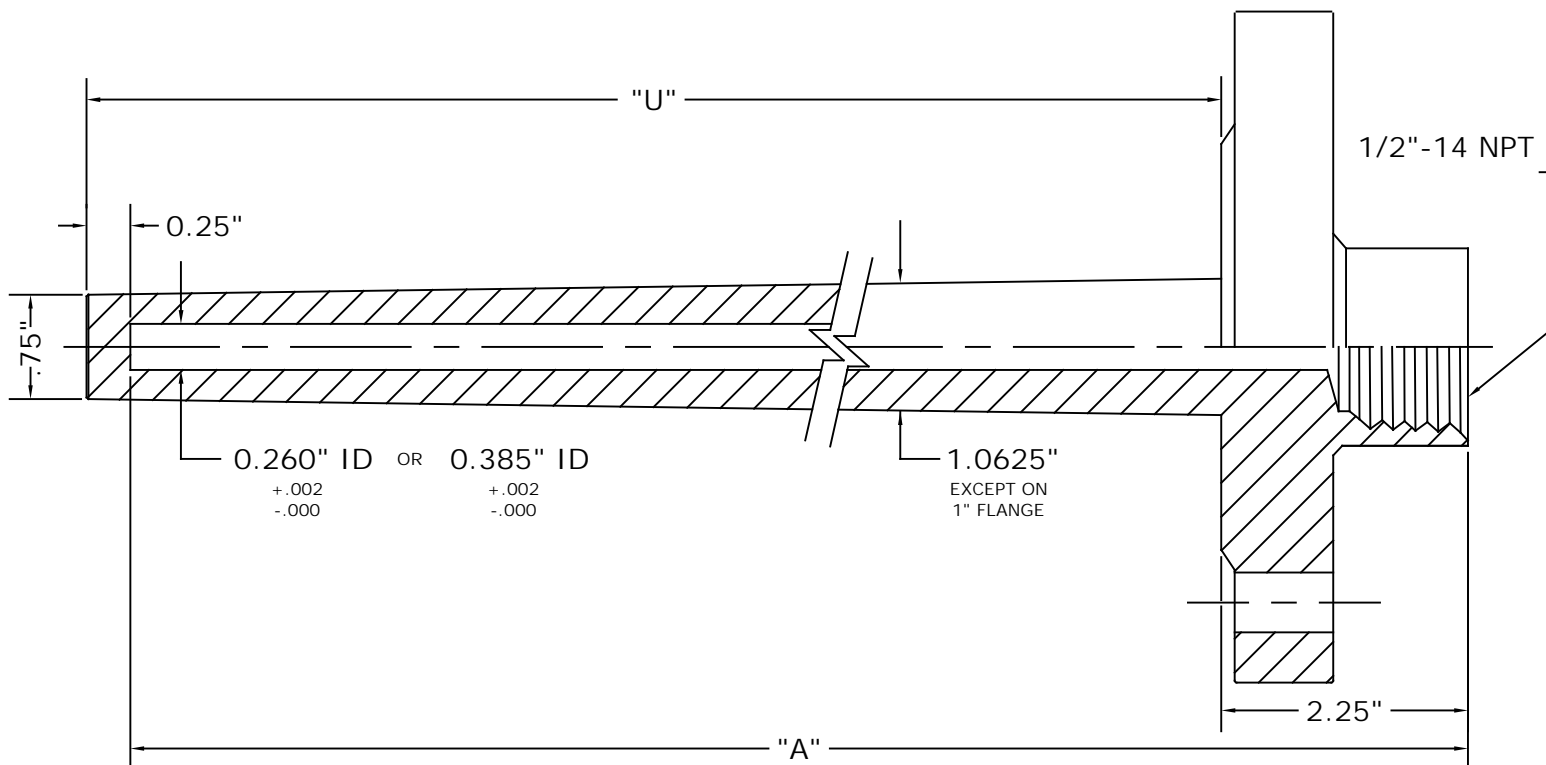
4. FLANGE RATING	
CODE	DESCRIPTION
1	150 lbs
2	300 lbs
3	600 lbs

5. LENGTH		
CODE	"A" DIMENSION	"U" DIMENSION
06	6	4.0"
09	9	7.0"
12	12	10.0"
15	15	13.0"
18	18	16.0"
24	24	22.0"
XX	SPECIFY SPECIAL "U" DIMENSION	

6. STEM MATERIAL	
CODE	MATERIAL
1	BRASS (ASTM B-16)
2	CARBON STEEL (C-1018)
3	304 SS
4	316 SS
5	MONEL
6	OTHER (SPECIFY)

7. FLANGE MATERIAL	
CODE	MATERIAL
1	BRASS (ASTM B-16)
2	CARBON STEEL (C-1018)
3	304 SS
4	316 SS
5	MONEL
6	OTHER (SPECIFY)

FLANGED TAPERED THERMOWELLS



1 2 - 3 - 4 - 5 - 6 - 7

1. BORE SIZE	
CODE	BORE SIZE
260	0.260" ID
385	0.385" ID

2. THERMOWELL STYLES	
CODE	THERMOWELL STYLE
FT	FLANGED, TAPERED

3. FLANGE SIZE	
CODE	DESCRIPTION
100	1.0"
150	1.50"
200	2.0"

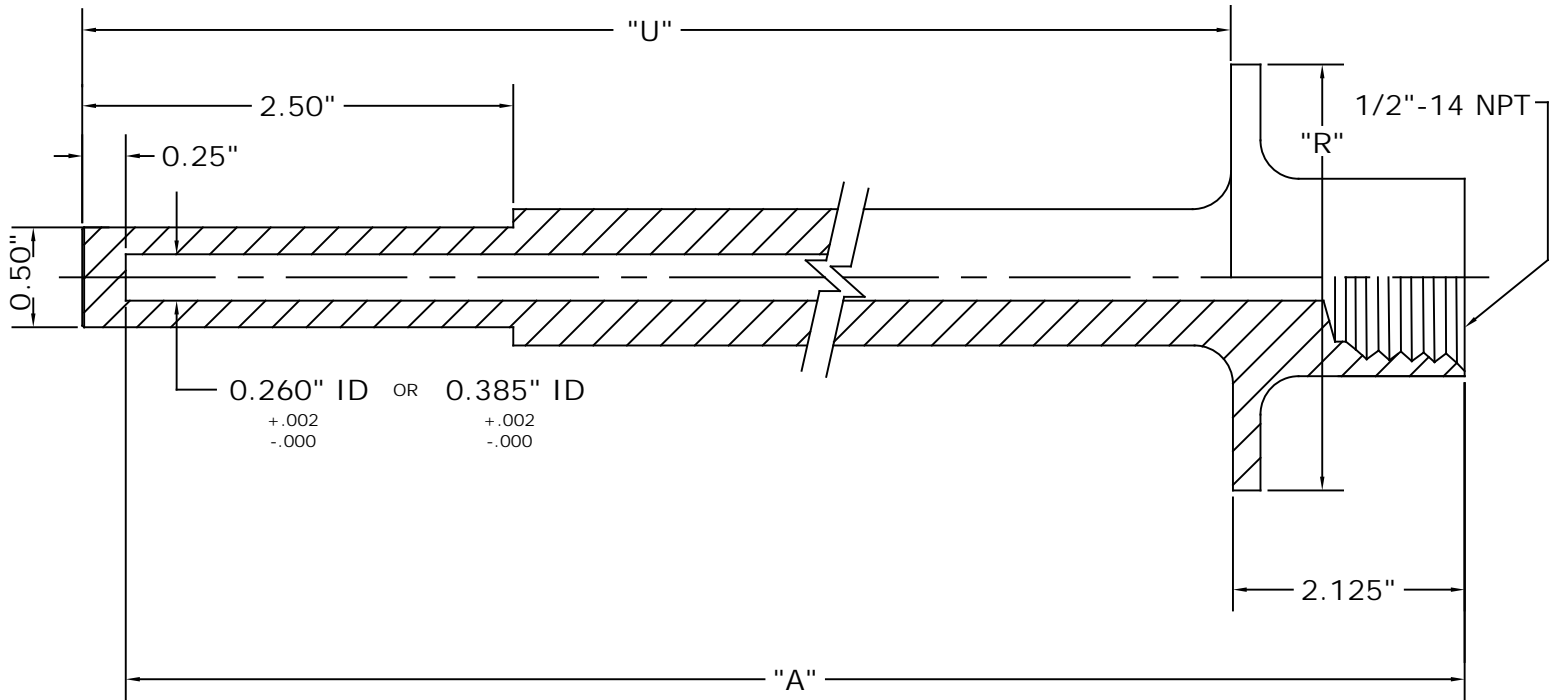
4. FLANGE RATING	
CODE	DESCRIPTION
1	150 lbs
2	300 lbs
3	600 lbs

5. LENGTH		
CODE	"A" DIMENSION	"U" DIMENSION
06	6	4.0"
09	9	7.0"
12	12	10.0"
15	15	13.0"
18	18	16.0"
24	24	22.0"
XX	SPECIFY SPECIAL "U" DIMENSION	

6. STEM MATERIAL	
CODE	MATERIAL
1	BRASS (ASTM B-16)
2	CARBON STEEL (C-1018)
3	304 SS
4	316 SS
5	MONEL
6	OTHER (SPECIFY)

7. FLANGE MATERIAL	
CODE	MATERIAL
1	BRASS (ASTM B-16)
2	CARBON STEEL (C-1018)
3	304 SS
4	316 SS
5	MONEL
6	OTHER (SPECIFY)

VANSTONE STEPPED THERMOWELLS



1 2 - 3 - 4 - 5 - 6

1. BORE SIZE	
CODE	BORE SIZE
260	0.260" ID
385	0.385" ID

2. THERMOWELL STYLES	
CODE	THERMOWELL STYLE
VS	VANSTONE, STEPPED

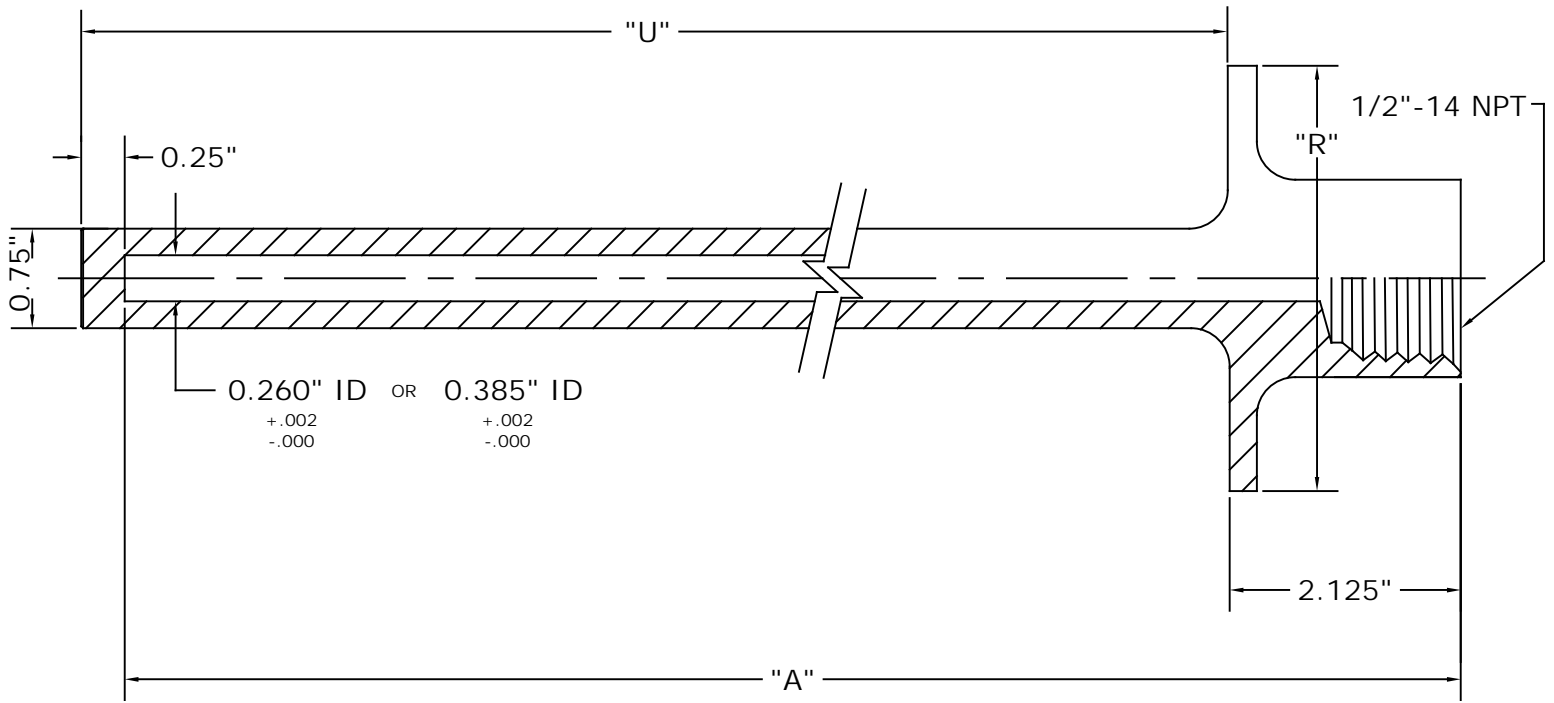
3. FLANGE SIZE		
CODE	DESCRIPTION	"R" DIA
100	1" 100 lbs	2.0"
150	1.5" 150 lbs	2.875"

4. LENGTH		
CODE	"A" DIMENSION	"U" DIMENSION
06	6	4.0"
09	9	7.0"
12	12	10.0"
15	15	13.0"
18	18	16.0"
24	24	22.0"
XX	SPECIFY SPECIAL "U" DIMENSION	

6. FLANGE MATERIAL	
CODE	MATERIAL
1	BRASS (ASTM B-16)
2	CARBON STEEL (C-1018)
3	304 SS
4	316 SS
5	MONEL
6	OTHER (SPECIFY)

5. STEM MATERIAL	
CODE	MATERIAL
1	BRASS (ASTM B-16)
2	CARBON STEEL (C-1018)
3	304 SS
4	316 SS
5	MONEL
6	OTHER (SPECIFY)

VANSTONE STRAIGHT THERMOWELLS



1 2 - 3 - 4 - 5 - 6

1. BORE SIZE	
CODE	BORE SIZE
260	0.260" ID
385	0.385" ID

2. THERMOWELL STYLES	
CODE	THERMOWELL STYLE
VST	VANSTONE, STRAIGHT

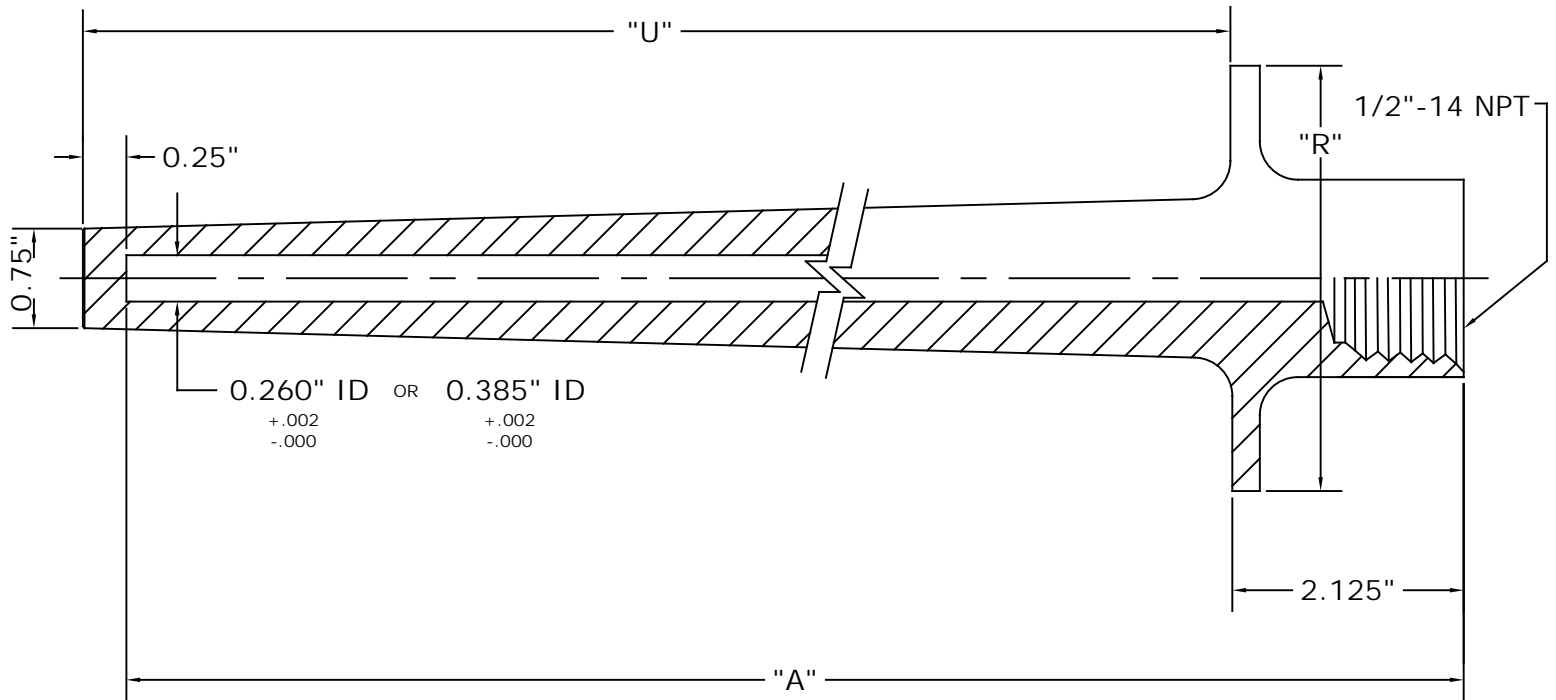
3. FLANGE SIZE		
CODE	DESCRIPTION	"R" DIA
100	1" 100 lbs	2.0"
150	1.5" 150 lbs	2.875"

4. LENGTH		
CODE	"A" DIMENSION	"U" DIMENSION
06	6	4.0"
09	9	7.0"
12	12	10.0"
15	15	13.0"
18	18	16.0"
24	24	22.0"
XX	SPECIFY SPECIAL "U" DIMENSION	

6. FLANGE MATERIAL	
CODE	MATERIAL
1	BRASS (ASTM B-16)
2	CARBON STEEL (C-1018)
3	304 SS
4	316 SS
5	MONEL
6	OTHER (SPECIFY)

5. STEM MATERIAL	
CODE	MATERIAL
1	BRASS (ASTM B-16)
2	CARBON STEEL (C-1018)
3	304 SS
4	316 SS
5	MONEL
6	OTHER (SPECIFY)

VANSTONE TAPERED THERMOWELLS



1 2 - 3 - 4 - 5 - 6

1. BORE SIZE	
CODE	BORE SIZE
260	0.260" ID
385	0.385" ID

2. THERMOWELL STYLES	
CODE	THERMOWELL STYLE
VT	VANSTONE, TAPERED

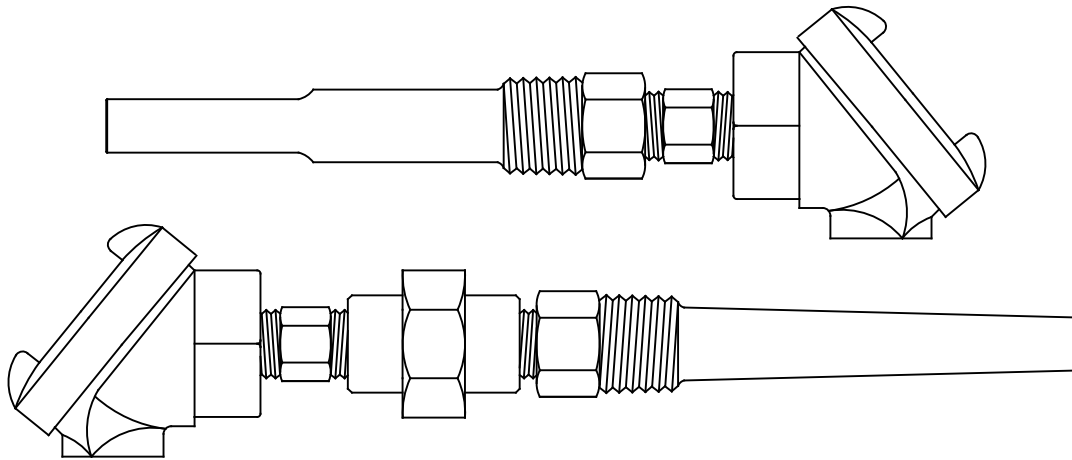
3. FLANGE SIZE		
CODE	DESCRIPTION	"R" DIA
100	1" 100 lbs	2.0"
150	1.5" 150 lbs	2.875"

4. LENGTH		
CODE	"A" DIMENSION	"U" DIMENSION
06	6	4.0"
09	9	7.0"
12	12	10.0"
15	15	13.0"
18	18	16.0"
24	24	22.0"
XX	SPECIFY SPECIAL "U" DIMENSION	

6. FLANGE MATERIAL	
CODE	MATERIAL
1	BRASS (ASTM B-16)
2	CARBON STEEL (C-1018)
3	304 SS
4	316 SS
5	MONEL
6	OTHER (SPECIFY)

5. STEM MATERIAL	
CODE	MATERIAL
1	BRASS (ASTM B-16)
2	CARBON STEEL (C-1018)
3	304 SS
4	316 SS
5	MONEL
6	OTHER (SPECIFY)

THERMOCOUPLE ASSEMBLIES WITH PRESSURE TIGHT WELLS



Thermocouples with thermowell's are designed for applications where the thermocouple itself is not able to stand up to the media being measured. They are also designed to be used in applications where the media being measures is under alot of pressure or where the application does not permit the removal of the thermocouple without draining the contents of such things as tanks or vessels.

1 2 - 3 - 4 - 5

1A. CALIBRATION, DIAMETER, MATERIAL	
CODE	DESCRIPTION
J48	TYPE J, 1/4" OD
K48	TYPE K, 1/4" OD
T48	TYPE T, 1/4" OD
JJ48	DUAL TYPE J, 1/4" OD
KK48	DUAL TYPE K, 1/4" OD
TT48	DUAL TYPE T, 1/4" OD
J68	TYPE J, 3/8" OD
K68	TYPE K, 3/8" OD
T68	TYPE T, 3/8" OD
JJ68	DUAL TYPE J, 3/8" OD
KK68	DUAL TYPE K, 3/8" OD
TT68	DUAL TYPE T, 3/8" OD

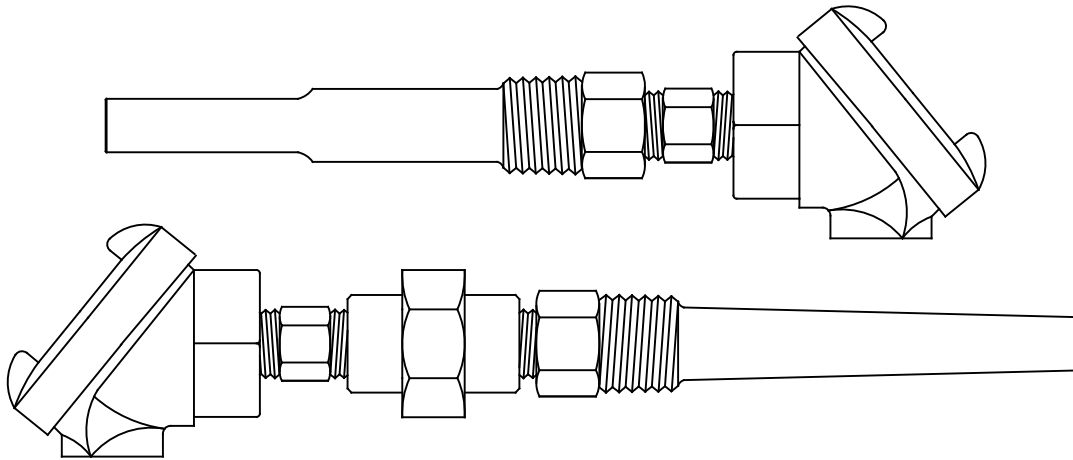
2. THERMOCOUPLE JUNCTION
G - GROUNDED
U - UNGROUNDED

3. PROTECTION THERMOWELL NUMBER
SELECT PART NUMBER FROM PAGES F1 - F13

4. "E" EXTENSION LENGTH
1" STANDARD, 4" MINIMUM WITH UNION AND NIPPLES
01 - 1"
04 - 4"
06 - 6"
08 - 8"
10 - 10"
XX - SPECIFY OTHER LENGTH IN INCHES

5. OPTIONS
CAST IRON HEAD STANDARD
B - INTERNAL GROUND SCREW
BC - BRASS CAP AND CHAIN
D - GREY DELRIN [®] SCREW COVER HEAD
HS - 316L SS SCREW COVER HEAD
K - CAST ALUMINUM SCREW COVER HEAD
P - STEEL UNION AND NIPPLES
PP - WHITE POLYPROPYLENE HEAD
R - SPRING LOADED T/C OR RTD
SC - SS CAP AND CHAIN
SS - SS NIPPLE
TR - HEAD MOUNTED TRANSMITTER
V - SS UNION AND NIPPLES
W - WHITE EPOXY COATING ON HEAD
X - CSA APPROVED EXPLOSION PROOF HEAD

RTD ASSEMBLIES WITH PRESSURE TIGHT WELLS



RTD's with thermowell's are designed for applications where the thermocouple itself is not able to stand up to the media being measured. They are also designed to be used in applications where the media being measures is under alot of pressure or where the application does not permit the removal of the rtd without draining the contents of such things as tanks or vessels.

1 2 - 3 - 4 - 5

1A. CALIBRATION, DIAMETER, MATERIAL	
CODE	DESCRIPTION
RTD48	TYPE J, 1/4" OD
RTD/RTD48	TYPE K, 1/4" OD
RTD68	TYPE T, 1/4" OD
RTD/RTD68	DUAL TYPE J, 1/4" OD

2. THERMOCOUPLE JUNCTION
G - GROUNDED
U - UNGROUNDED

3. PROTECTION THERMOWELL NUMBER
SELECT PART NUMBER FROM PAGES F1 - F13

4. "E" EXTENSION LENGTH
1" STANDARD, 4" MINIMUM WITH UNION AND NIPPLES
01 - 1"
04 - 4"
06 - 6 "
08 - 8"
10 - 10"
XX - SPECIFY OTHER LENGTH IN INCHES

5. OPTIONS
CAST IRON HEAD STANDARD
B - INTERNAL GROUND SCREW
BC - BRASS CAP AND CHAIN
D - GREY DELRIN [®] SCREW COVER HEAD
HS - 316L SS SCREW COVER HEAD
K - CAST ALUMINUM SCREW COVER HEAD
P - STEEL UNION AND NIPPLES
PP - WHITE POLYPROPYLENE HEAD
R - SPRING LOADED T/C OR RTD
SC - SS CAP AND CHAIN
SS - SS NIPPLE
TR - HEAD MOUNTED TRANSMITTER
V - SS UNION AND NIPPLES
W - WHITE EPOXY COATING ON HEAD
X - CSA APPROVED EXPLOSION PROOF HEAD