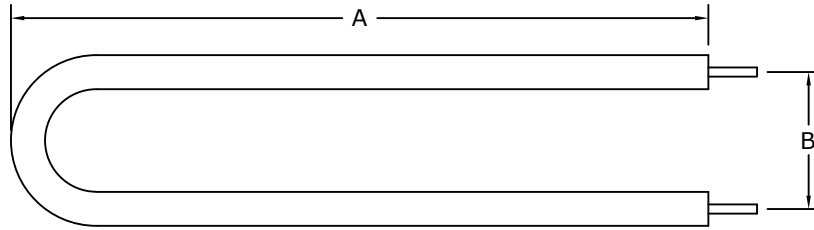
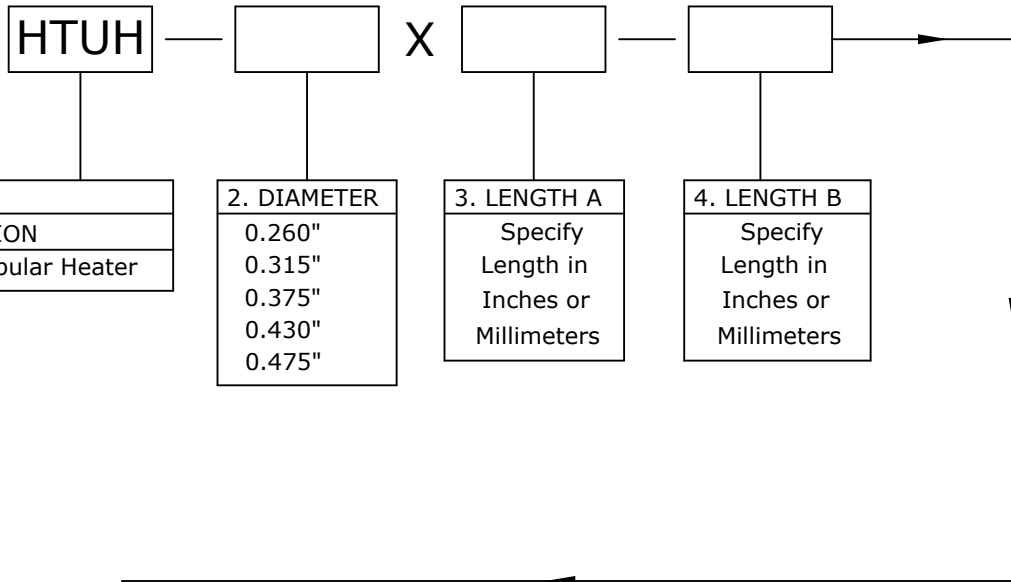


HAIRPIN TUBULAR HEATERS



EXAMPLE: HTUH-0.53-25-240-2000-ST

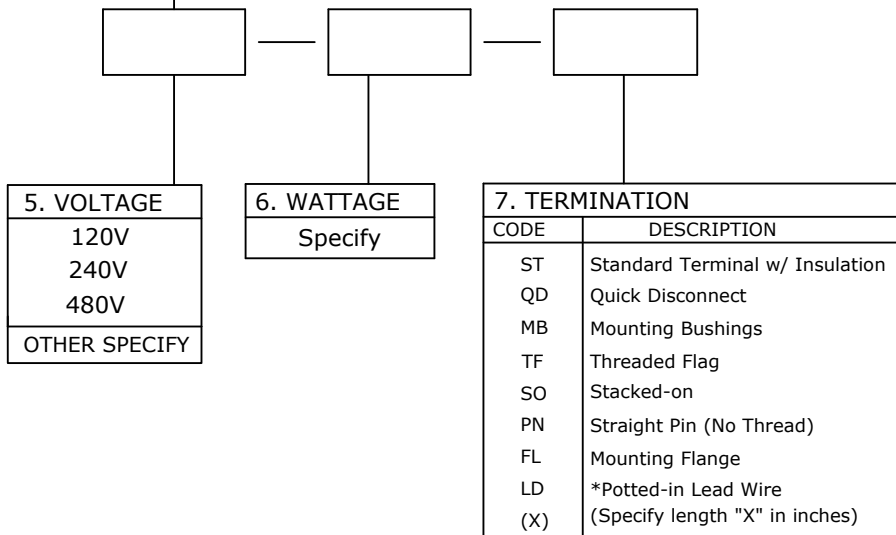


1. STYLE	
CODE	DESCRIPTION
HTUH	Hairpin Tubular Heater

2. DIAMETER
0.260"
0.315"
0.375"
0.430"
0.475"

3. LENGTH A
Specify Length in Inches or Millimeters

4. LENGTH B
Specify Length in Inches or Millimeters



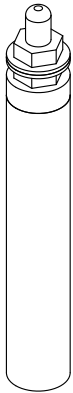
5. VOLTAGE
120V
240V
480V
OTHER SPECIFY

6. WATTAGE
Specify

7. TERMINATION	
CODE	DESCRIPTION
ST	Standard Terminal w/ Insulation
QD	Quick Disconnect
MB	Mounting Bushings
TF	Threaded Flag
SO	Stacked-on
PN	Straight Pin (No Thread)
FL	Mounting Flange
LD	*Potted-in Lead Wire
(X)	(Specify length "X" in inches)

TUBULAR HEATER TERMINATIONS

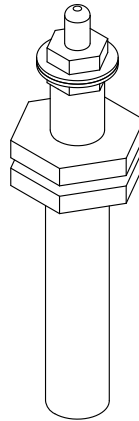
ST
Standard Terminal
w/ Insulation



QD
Quick Disconnect



MB
Mounting Bushings



TF
Threaded Flag



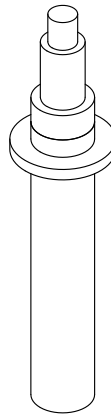
SO
Stacked-on



PN
Straight Pin
(No Thread)



FL
Mounting Flange



LD (X)
Potted-in Lead Wire

