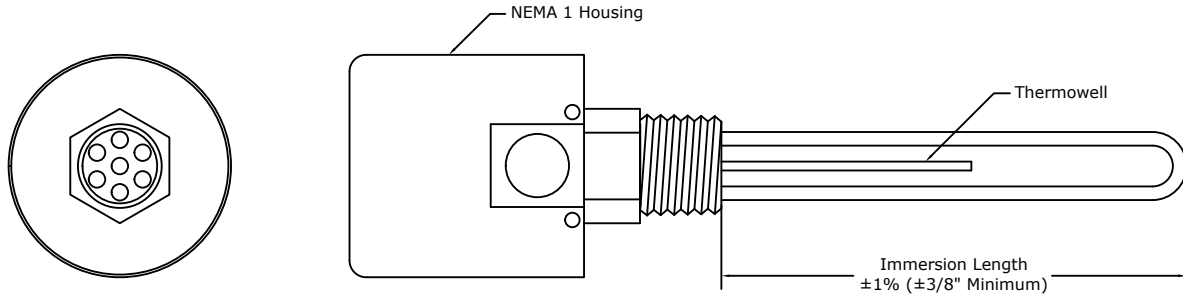
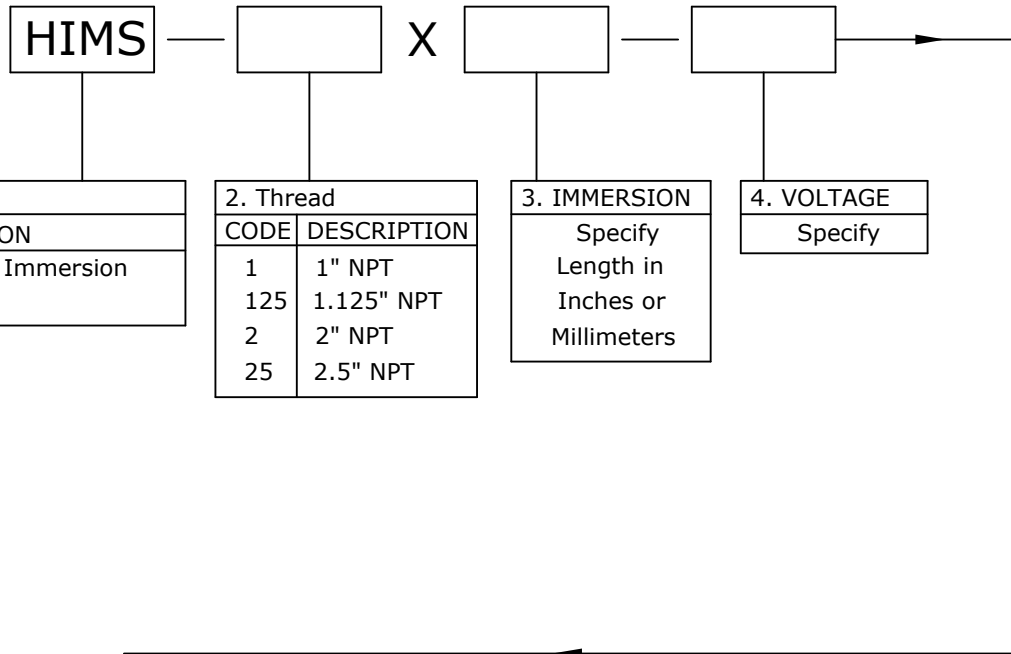


SCREW PLUG IMMERSION HEATERS



EXAMPLE: HIMS-1X20-240-3000-H1-TS

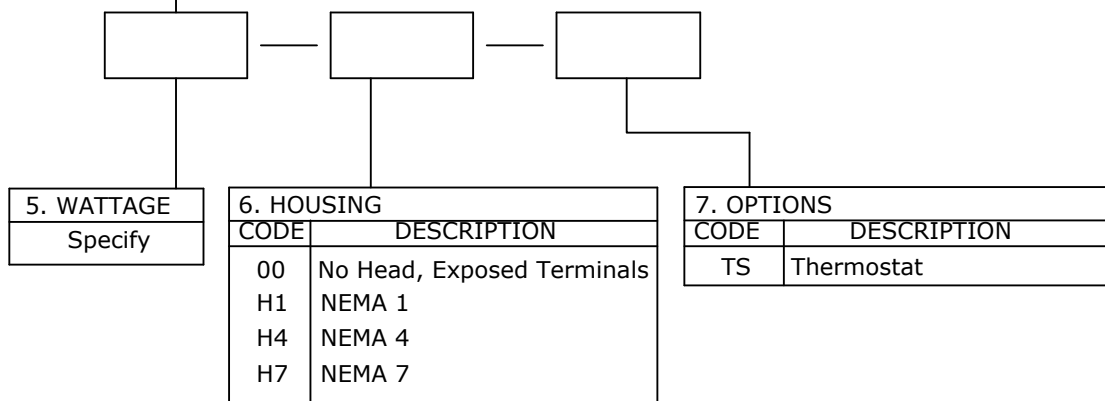


1. STYLE	
CODE	DESCRIPTION
HIMS	Screw Plug Immersion Heater

2. Thread	
CODE	DESCRIPTION
1	1" NPT
125	1.125" NPT
2	2" NPT
25	2.5" NPT

3. IMMERSION
Specify Length in Inches or Millimeters

4. VOLTAGE
Specify



5. WATTAGE
Specify

6. HOUSING	
CODE	DESCRIPTION
00	No Head, Exposed Terminals
H1	NEMA 1
H4	NEMA 4
H7	NEMA 7

7. OPTIONS	
CODE	DESCRIPTION
TS	Thermostat