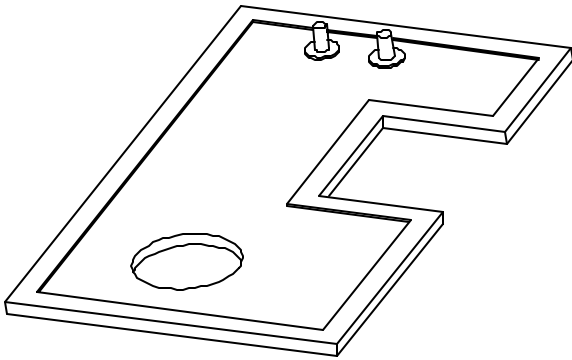


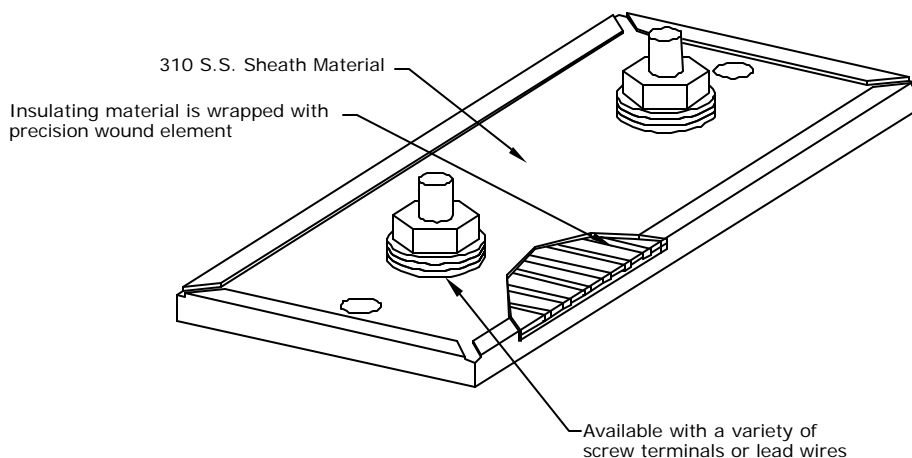
MICA STRIP HEATERS

Acrolab mica insulated strip heaters are economical heat sources, suitable for providing heat to flat surfaces. The sheath temperature limitation is 900° F. These heaters can be made to include pressure plates that improve uniformity and heat transfer. Mica insulated heaters are available in many electrical termination styles, and can accommodate holes and cut-outs.

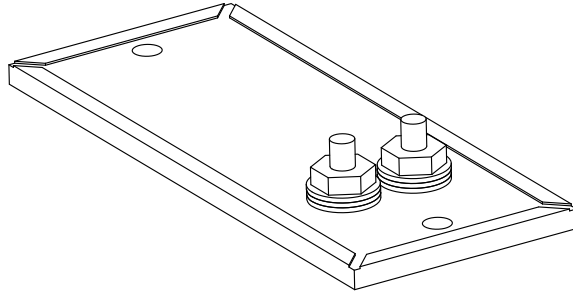
Mica insulated strip heaters utilize the finest quality muscovite and phlogobite mica, different high-grade alloys of resistance wire, and stainless steel sheathes. The proper components are selected and the heater is designed according to the requirements of each application.



Mounting slots, holes and cutouts can be incorporated into the design of the strip heaters without compromising watt density and heater performance. However, there are design limitations to be considered and the factory should be consulted prior to placing any orders.

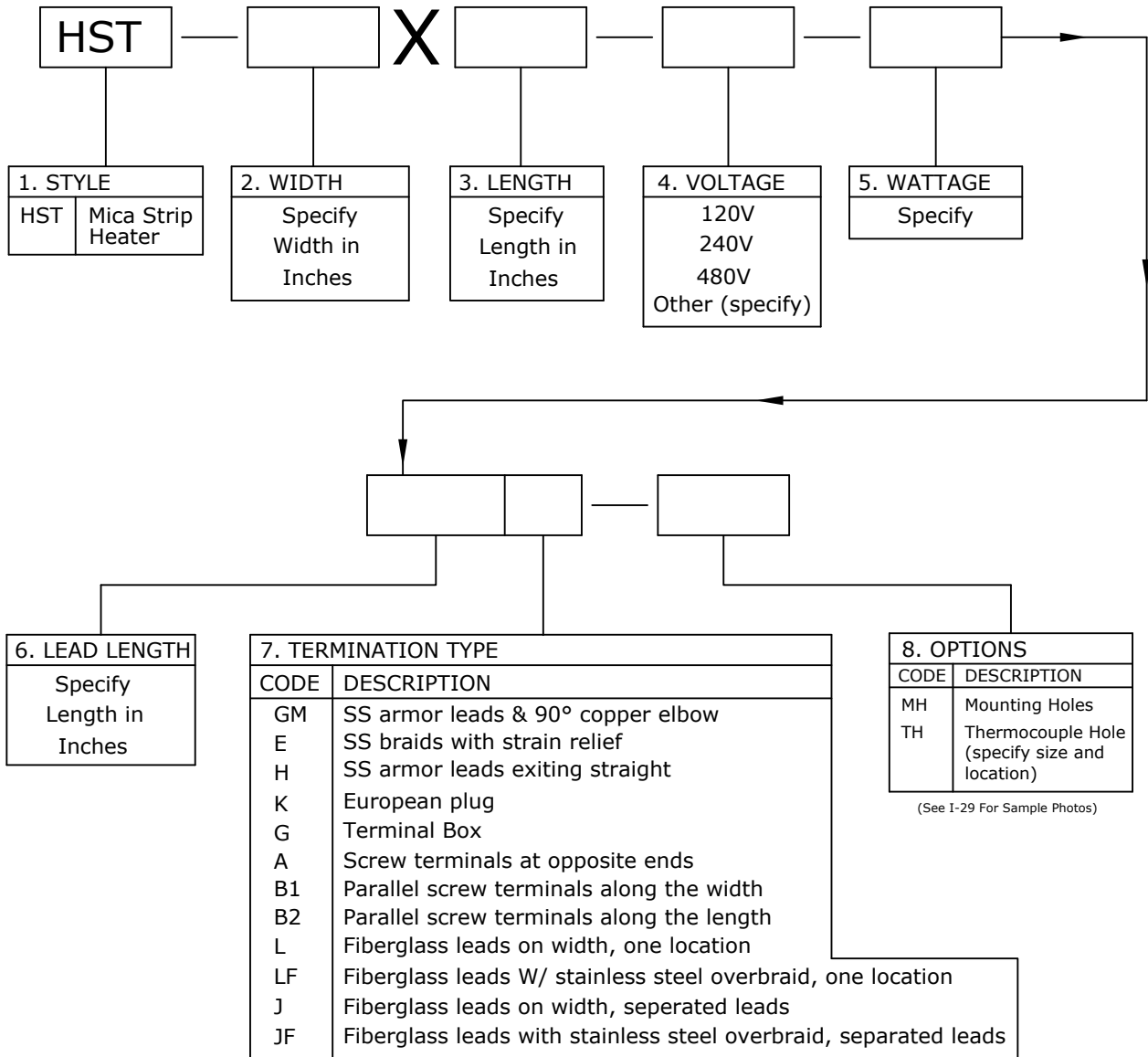


MICA STRIP HEATERS



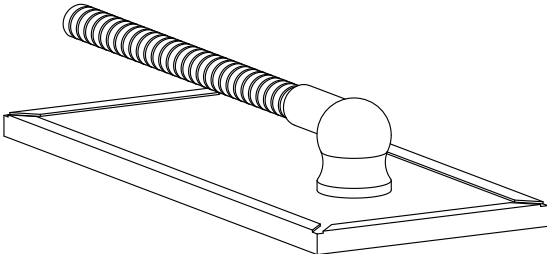
EXAMPLE: HST-3.5X6.5-240-1000-B1

EXAMPLE: HST-2X5-120-600-84LF-TH

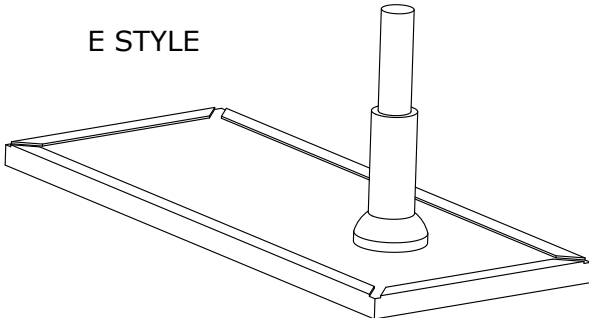


STRIP HEATERS OPTIONS

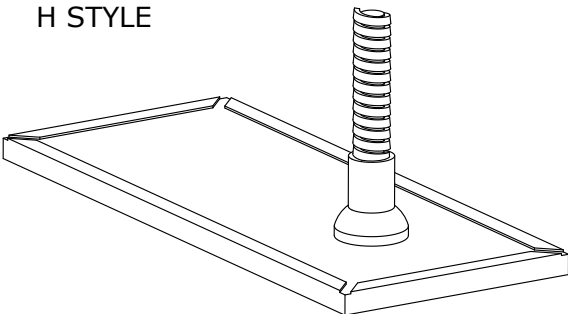
GM STYLE



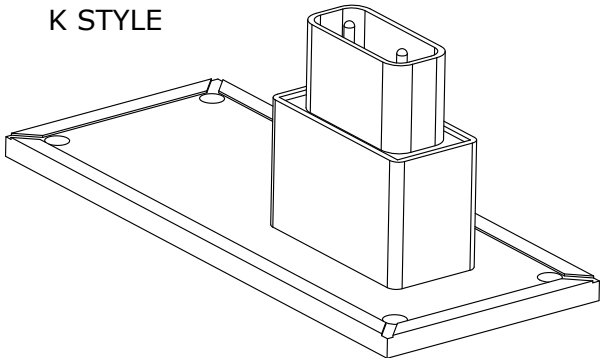
E STYLE



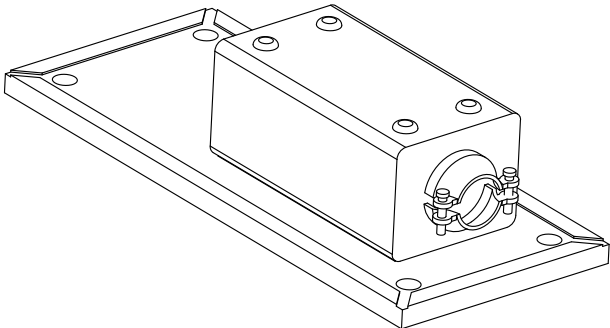
H STYLE



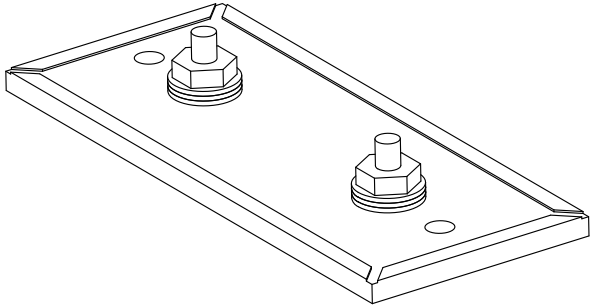
K STYLE



G STYLE

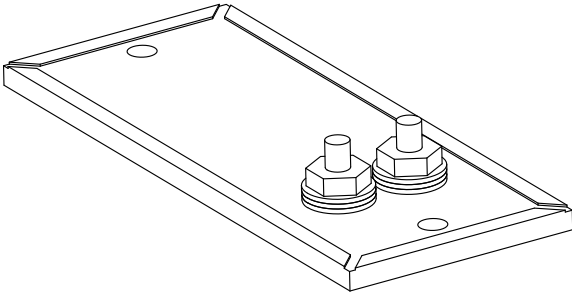


A STYLE

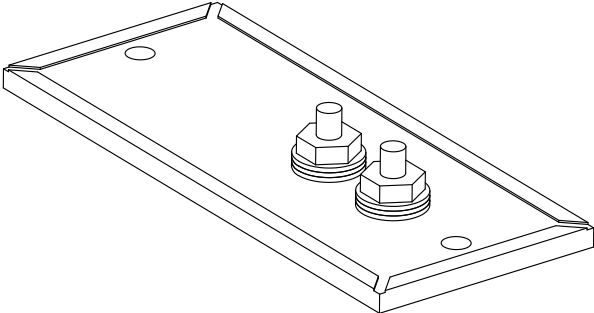


STRIP HEATERS OPTIONS

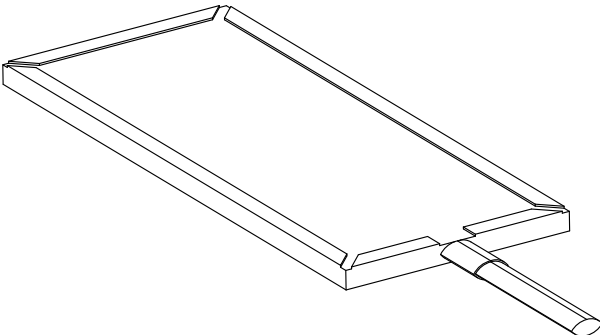
B1 STYLE



B2 STYLE



L & LF STYLES



J & JF STYLES

