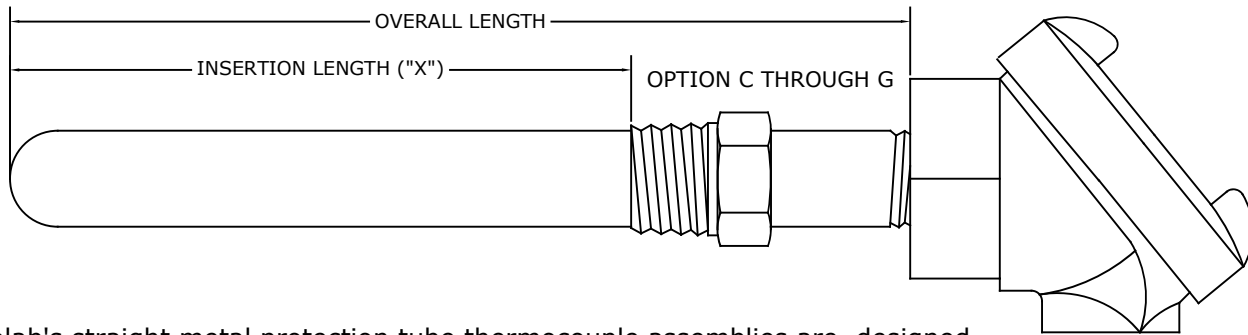


# STRAIGHT THERMOCOUPLE ASSEMBLIES WITH METAL PROTECTION TUBES



Acrolab's straight metal protection tube thermocouple assemblies are designed for a wide variety of medium to high temperature, corrosive and non corrosive industrial applications. Various pipe diameters and lengths are available as well as many options for mounting, etc...

SUPPLIED WITH CAST IRON HEAD  
UNLESS OTHERWISE SPECIFIED



1. CALIBRATION	
CODE	DESCRIPTION
J	TYPE J, SINGLE
K	TYPE K, SINGLE
N	TYPE N, SINGLE
JJ	TYPE J, DUAL
KK	TYPE K DUAL
NN	TYPE NN, DUAL

2. WIRE GAUGE	
CODE	DESCRIPTION
8	8 GAUGE (J, K AND N ONLY)
11	11 GAUGE (K ONLY)
14	14 GAUGE (J, K AND N ONLY)

3. SCH. 40 PIPE ALLOY AND SIZE				
CODE	MATERIAL	ID	OD	NPT
5-50	446 SS	0.622"	0.840"	1/2"
5-75	446 SS	0.824"	1.050"	3/4"
6-25	CARBON STEEL	0.364"	0.540"	1/2"
6-50	CARBON STEEL	0.622"	0.840"	1/2"
6-75	CARBON STEEL	0.824"	1.050"	3/4"
6-100	CARBON STEEL	1.049"	1.315"	1"
7-50	INCONEL 601	0.622"	0.840"	1/2"
7-75	INCONEL 601	0.824"	1.050"	3/4"
7-100	INCONEL 601	1.049"	1.315"	1"
8-25	316 SS	0.364"	0.840"	1/2"
8-50	316 SS	0.622"	1.050"	1/2"
8-75	316 SS	0.824"	1.050"	3/4"
11-75	CAST IRON	1.049"	0.840"	1"
12-75	LT-1 METAL CERAMIC	0.625"	1.625"	3/4"
13-75	SILICONE NITRIDE	0.625"	1.125"	3/4"
14-75	REFRACTORY COATED	0.493"	1.500"	3/4"
15-75	HEXOLOY	0.500"	0.750"	3/4"
16-75	VESUVIUS	0.824"	2.000"	3/4"

4. OVERALL PIPE LENGTH	
CODE	LENGTH
06	6.0" OVERALL LENGTH
12	12.0" OVERALL LENGTH
18	18.0" OVERALL LENGTH
24	24.0" OVERALL LENGTH
30	30.0" OVERALL LENGTH
36	36.0" OVERALL LENGTH
XX	SPECIFY OTHER LENGTH

5. OPTIONS	
A	OPEN END (CLOSED END STANDARD)
AA	OTHER (SPECIFY)
B	INTERNAL GROUND SCREW IN HEAD
C(X)	1/2" NPT WELDED STEEL BUSHING (ONLY ON 0.25" SIZE PIPES)
D(X)	3/4" NPT WELDED STEEL BUSHING (ONLY ON 0.50" SIZE PIPES)
E(X)	1" NPT WELDED STEEL BUSHING (ONLY ON 0.50" AND 0.75" SIZE PIPES)
F(X)	1 1/8" NPT WELDED STEEL BUSHING (ONLY ON 0.50", 0.75" AND 1.0" SIZE PIPES)
G(X)	1 1/2" NPT WELDED STEEL BUSHING (ONLY ON 0.50", 0.75" AND 1.0" SIZE PIPES)
H	ADJUSTABLE STEEL FLANGE
K	CAST ALUMINUM WEATHERPROOF HEAD
L	THERMOCOUPLE INSULATED FROM TUBE
M	SPECIAL LIMITS OF ERROR
P	STEEL UNION AND NIPPLES TO CONNECT HEAD TO PROTECTION TUBE
SS	STAINLESS STEEL BUSHING
V	SS UNION AND NIPPLES TO CONNECT HEAD TO PROTECTION TUBE
W	PROTECTICE WHITE EPOXY COATING ON HEAD
X	CSA APPROVED EXPLOSION PROOF HEAD