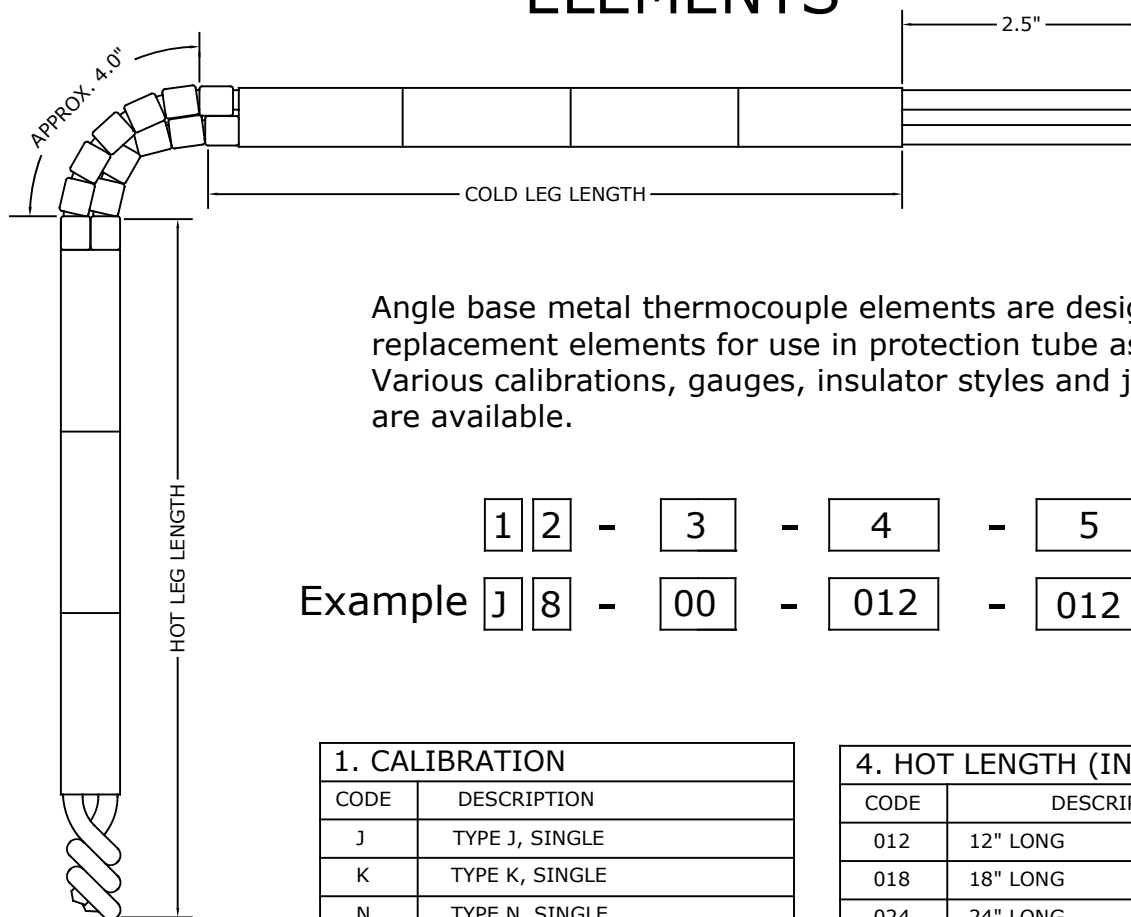


ANGLE BASE METAL THERMOCOUPLE ELEMENTS

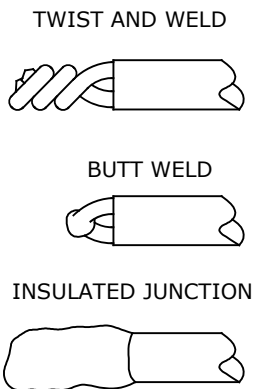


Angle base metal thermocouple elements are designed as replacement elements for use in protection tube assemblies. Various calibrations, gauges, insulator styles and junctions are available.

Example

1	2	-	3	-	4	-	5	-	6
---	---	---	---	---	---	---	---	---	---

J	8	-	00	-	012	-	012	-	1
---	---	---	----	---	-----	---	-----	---	---



1. CALIBRATION	
CODE	DESCRIPTION
J	TYPE J, SINGLE
K	TYPE K, SINGLE
N	TYPE N, SINGLE
JJ	TYPE J, DUAL
KK	TYPE K, DUAL
NN	TYPE N, DUAL

2. WIRE GAUGE	
CODE	DESCRIPTION
8	8 GAUGE (J, K AND N)
11	11 GAUGE (J AND K ONLY)
14	14 GAUGE (J, K AND N)

3. INSULATION	
CODE	DESCRIPTION
00	NO INSULATORS, BARE ALLOY
B	B - BALL AND SOCKET
CI	CI - CERAMIC INSULATOR, TWO HOLE, OVAL

J, K, AND N SUPPLIED WITH REFRACTORY INSULATORS (2475°F MAX.)

4. HOT LENGTH (IN INCHES)	
CODE	DESCRIPTION
012	12" LONG
018	18" LONG
024	24" LONG
030	30" LONG
036	36" LONG
XXX	SPECIFY (IN 1" INCREMENTS)

5. COLD LENGTH (IN INCHES)	
CODE	DESCRIPTION
012	12" LONG
018	18" LONG
024	24" LONG
030	30" LONG
036	36" LONG
XXX	SPECIFY (IN 1" INCREMENTS)

ACTUAL LENGTH PROVIDED IS 2.5" LONGER THAN SPECIFIED TO ALLOW FOR TERMINAL CONNECTIONS

6. OPTIONS	
CODE	DESCRIPTION
1	TWIST AND WELDED JUNCTION
2	BUTT WELDED JUNCTION
341	SINGLE TERMINAL BLOCK
342	DUPLEX TERMINAL BLOCK
L	ISOLATED JUNCTION
AA	OTHER (DESCRIBE)