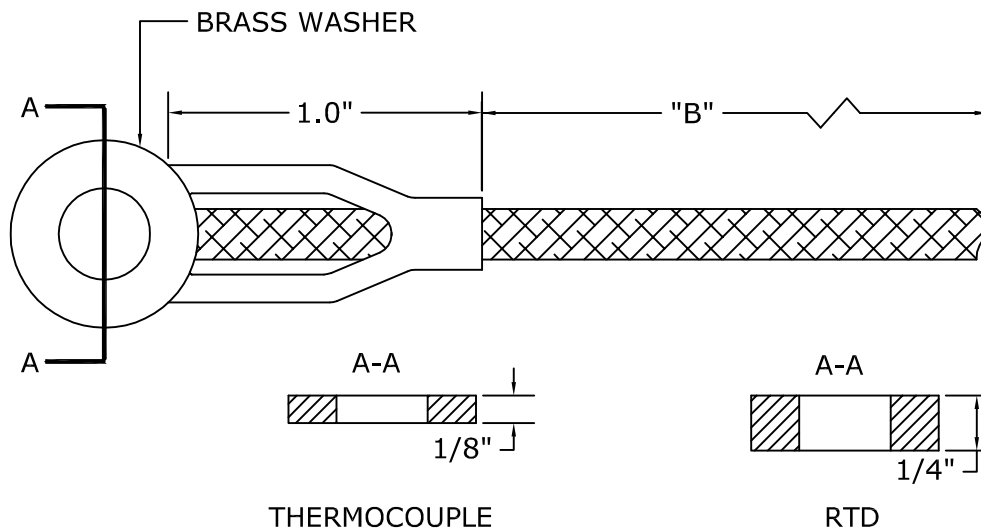
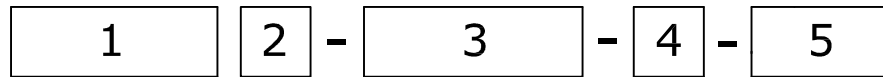


# GASKET STYLE THERMOCOUPLES AND RTDs



**A600 STYLE**

Acrolab's gasket style thermocouples and RTD's are a more heavy duty version of the A700 and A710 ring style. The heavy duty brass washer is reinforced with a strain relief fork crimped to the leadwire. They are ideal for surface temperature measurement as are the ring style sensors.



1. THERMOCOUPLE STYLE	
A600	Gasket Style

2. CALIBRATION TYPE	
J	IRON / CONSTANTAN
K	CHROMEL / ALUMEL
T	COPPER / CONSTANTAN
RTD2	100 OHM, 2 WIRE
RTD3	100 OHM, 3 WIRE
RTD4	100 OHM, 4 WIRE
JJ	DUAL IRON / CONSTANTAN
KK	DUAL CHROMEL / ALUMEL
TT	DUAL COPPER / CONSTANTAN
RTD/RTD2	DUAL 100 OHM, 2 WIRE
RTD/RTD3	DUAL 100 OHM, 3 WIRE
RTD/RTD4	DUAL 100 OHM, 4 WIRE

3. B" LENGTH	
	Specify in Inches

4. TERMINATION TYPE	
0	Leads Not Stripped
1	Standard Male Plug
2	Standard Female Jack
3	BX Connector & 4" Stripped Leads with Spade Lugs
4	4" Stripped Leads with Spade Lugs

5. OPTIONS	
U	Ungrounded
9D	Forks Exiting 90° from Gasket
99	Fiberglass Wire Without Stainless Steel Overbraid
AA	Special Construction, Describe