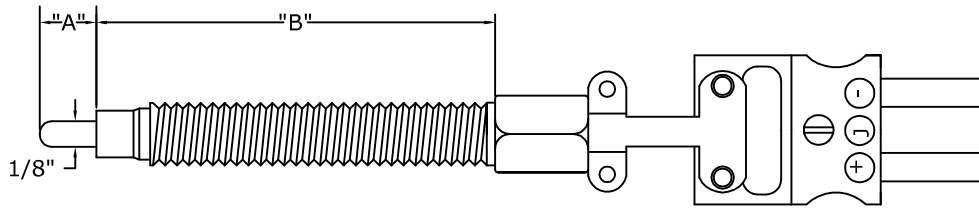
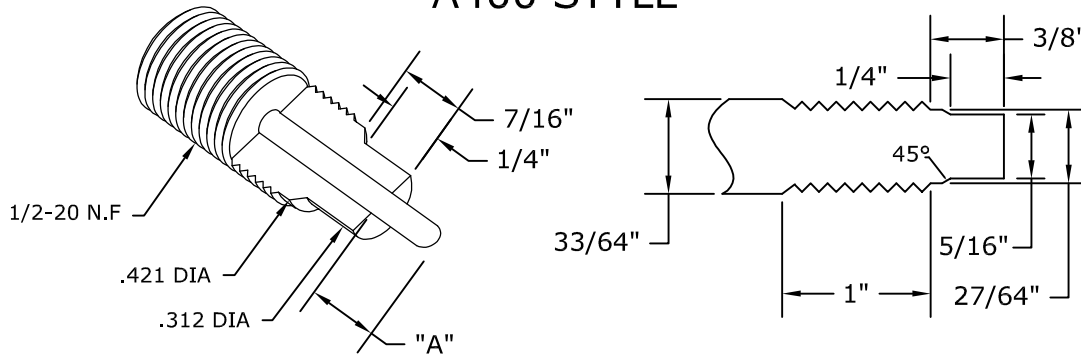


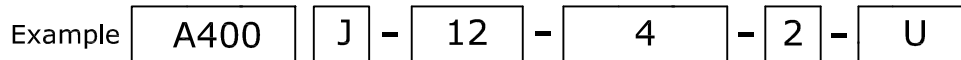
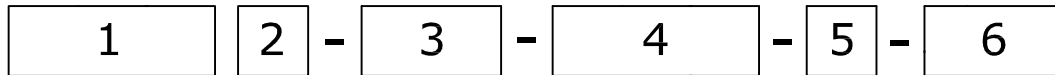
PLASTIC MELT THERMOCOUPLES AND RTDs



A400 STYLE



Acrolab's melt bolt style thermocouples and RTD's are designed to directly measure the melt temperature of plastic as it moves down the extruder barrel. They are commonplace in the extrusion and plastic injection moulding industries. Acrolab offers them in a variety of bolt lengths, as well as offering many other leadwire and termination options.



1. THERMOCOUPLE STYLE	
A400	Plastic Melt Style
A410	Adjustable Melt Style

2. CALIBRATION TYPE	
J	Iron/Constantan
K	Chromel/Alumel
T	Copper/Constantan
RTD2	100 Ohm, 2 Wire
RTD3	100 Ohm, 3 Wire
RTD4	100 Ohm, 4 Wire
JJ	Dual Iron/Constantan
KK	Dual Chromel/Alumel
TT	Dual Copper/Constantan
RTD/RTD2	Dual 100 Ohm, 2 Wire
RTD/RTD3	Dual 100 Ohm, 3 Wire
RTD/RTD4	Dual 100 Ohm, 4 Wire

3. "A" LENGTH	
Specify in Inches	

4. "B" LENGTH	
3	3" SS Melt Bolt
4	4" SS Melt Bolt
6	6" SS Melt Bolt
8	8" SS Melt Bolt
10	10" SS Melt Bolt
12	12" SS Melt Bolt

5. TERMINATION TYPE	
0	Leads Not Stripped
1	Standard Male Plug
2	Standard Female Jack
3	BX Connector & 4" Stripped Leads with Spade Lugs
4	4" Stripped Leads with Spade Lugs

6. OPTIONS	
U	Ungrounded (3/16" OD Standard)
AA	Special Construction, Describe