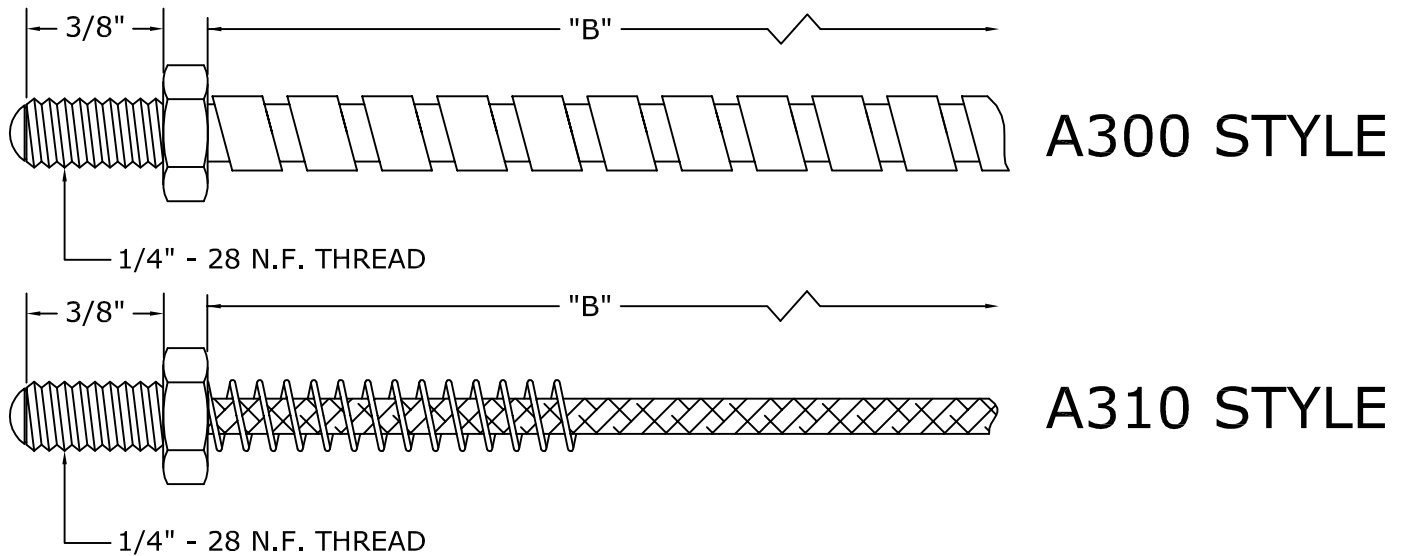


NOZZLE STYLE THERMOCOUPLES AND RTDs



Threaded nozzle thermocouples and RTD's are commonly used to measure the temperature of the nozzle on an injection moulding machine. The A300 and A310 style is a versatile design and may be used in a wide variety of applications where space is a factor. Acrolab offers this style, as a standard, either with or without stainless steel armour and with a 1/4"-28N.F. threaded swivelling bolt. Other thread sizes, imperial or metric, are available.

1
2 -
 3 -
 4 -
 5

Example A300 J -
 12 -
 0 -
 U

1. THERMOCOUPLE STYLE	
A300	Armored Nozzle Style
A310	Spring Relief Nozzle Style

2. CALIBRATION TYPE	
J	IRON / CONSTANTAN
K	CHROMEL / ALUMEL
T	COPPER / CONSTANTAN
RTD2	100 OHM, 2 WIRE
RTD3	100 OHM, 3 WIRE
RTD4	100 OHM, 4 WIRE
JJ	DUAL IRON / CONSTANTAN
KK	DUAL CHROMEL / ALUMEL
TT	DUAL COPPER / CONSTANTAN
RTD/RTD2	DUAL 100 OHM, 2 WIRE
RTD/RTD3	DUAL 100 OHM, 3 WIRE
RTD/RTD4	DUAL 100 OHM, 4 WIRE

3. B" LENGTH
Specify in Inches

4. TERMINATION TYPE	
0	Leads Not Stripped
1	Standard Male Plug
2	Standard Female Jack
3	BX Connector and 4" Stripped Leads with Spade Lugs
4	4" Stripped Leads with Spade Lugs

5. OPTIONS	
U	Ungrounded
29	1/8" Diameter Probe
39	3/16" Diameter Probe
99	Fiberglass Wire Without Stainless Steel Overbraid (A310 Only)
AA	Special Construction, Describe
SS	Stainless Steel Bolt