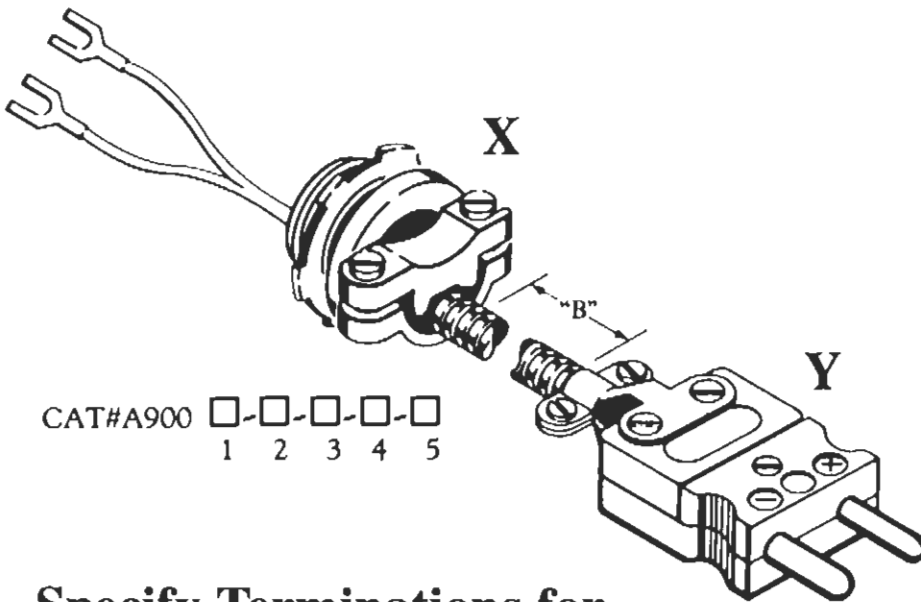
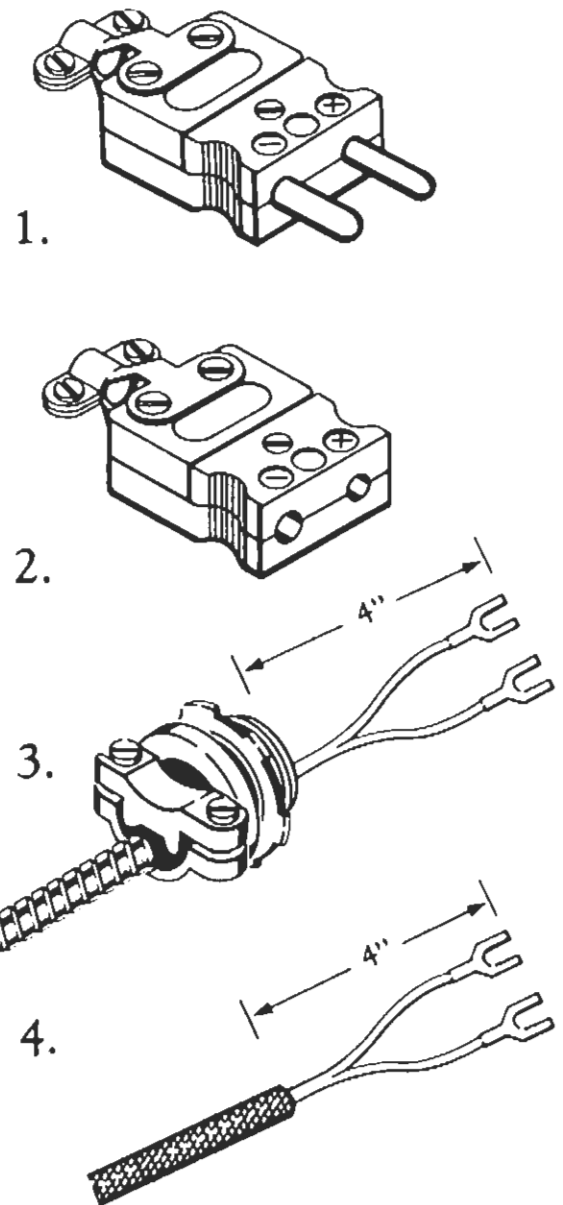


Extension assemblies



Terminations



Specify Terminations for X and Y ends using chart below.

Order information

	1	2	X	Y	5	
A900	<input type="checkbox"/>	<input type="checkbox"/>	<input type="checkbox"/>	<input type="checkbox"/>	<input type="checkbox"/>	← OPTIONS
TYPE						AA-Special
J						Describe
K						
T						
RTD						
	"B" LENGTH		TERMINATIONS			
	In Inches		X Y			
			1 1			
			2 2			
			3 3			
			4 4			

