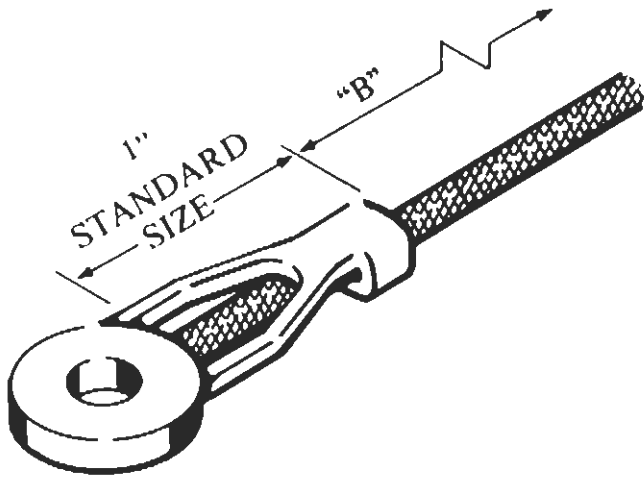
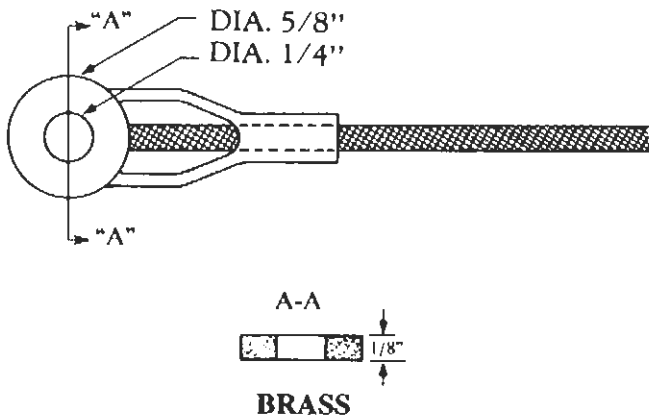


Gasket RTDs & thermocouples

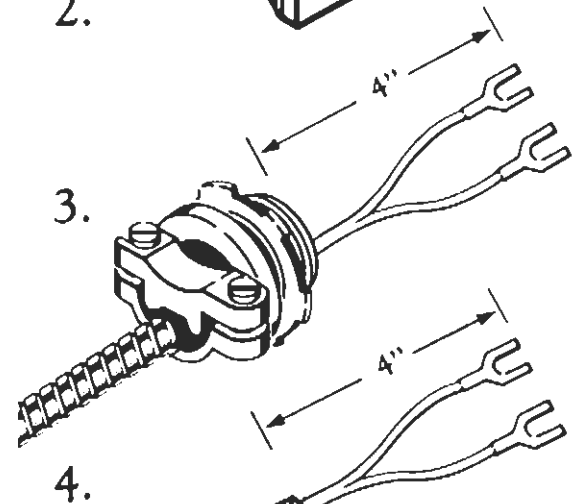
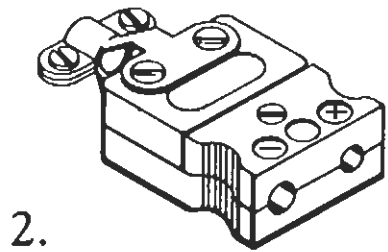
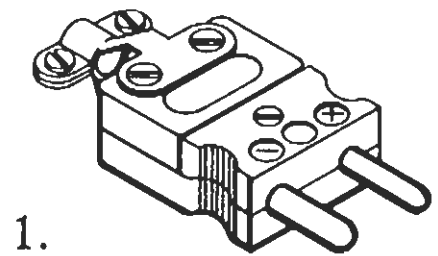


CAT#A600 ---
1 2 3 4

NOTE: Other calibrations, alloys and washer sizes, available upon request. Contact factory.



Terminations



Order information

TYPE	"B" LENGTH In Inches	TERMINATION	OPTIONS
J	1	1	AA-Special
K	2	2	Describe
T	3	3	
RTD	4	4	

