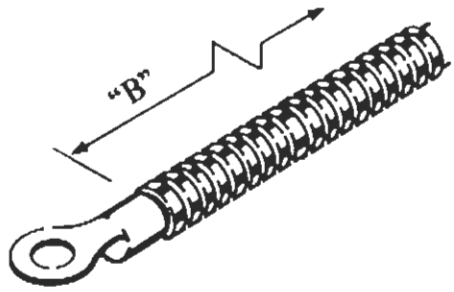
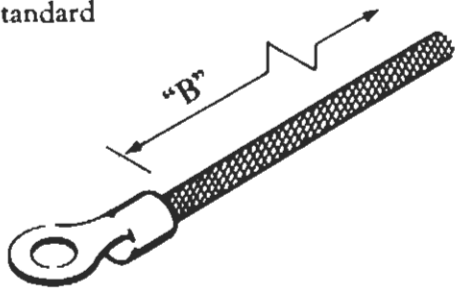


Ring type RTDs & thermocouples

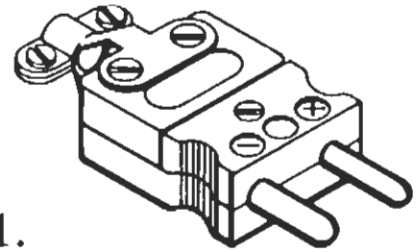


ARMOUR CAT#A700 ---
 1 2 3 4
 #10 WASHER - COPPER
 Standard

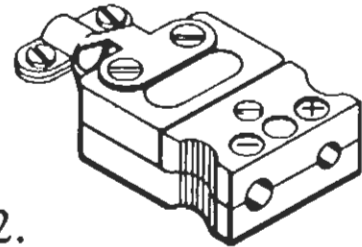


OVERBRAID CAT#A710 ---
 1 2 3 4
 #10 WASHER - COPPER
 Standard

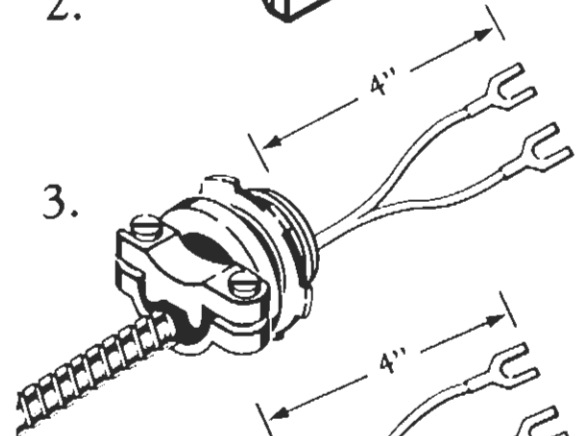
Terminations



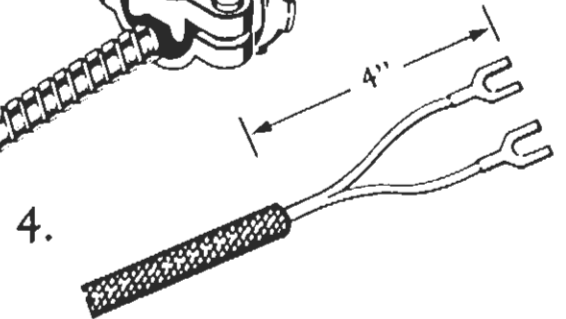
1.



2.



3.



4.

Order information

TYPE	"B" LENGTH In Inches	TERMINATION	OPTIONS
J		1	AA-Special Washer
K		2	Describe
T		3	
RTD		4	

A700 ---
 A710 ---

