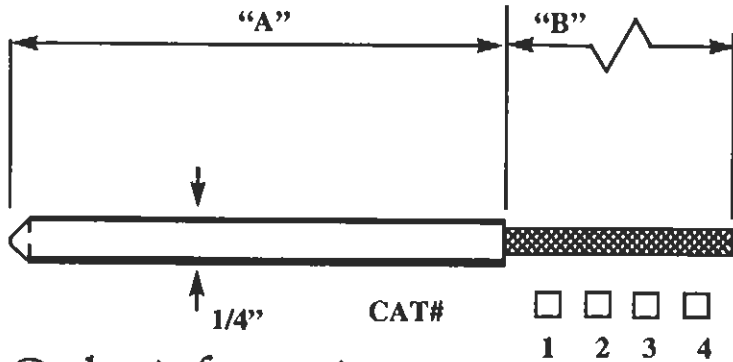
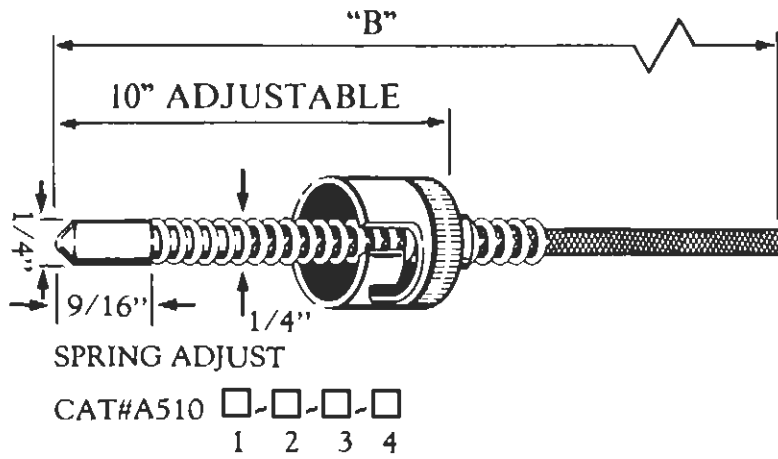
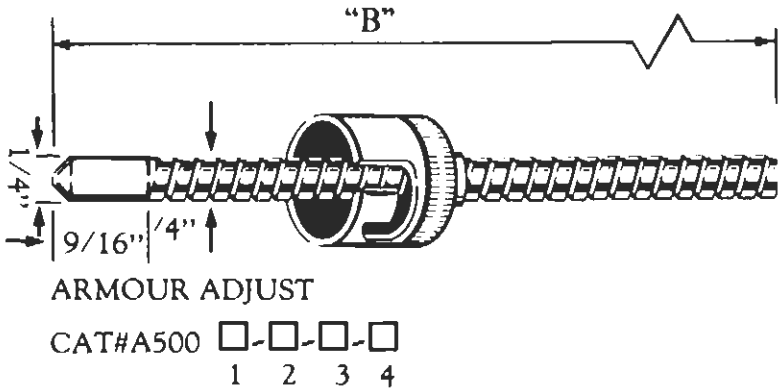
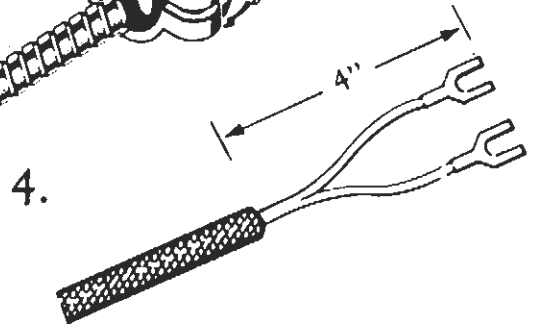
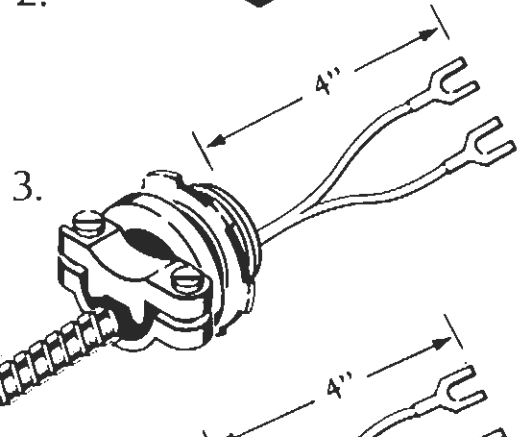
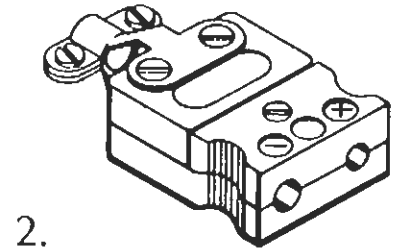
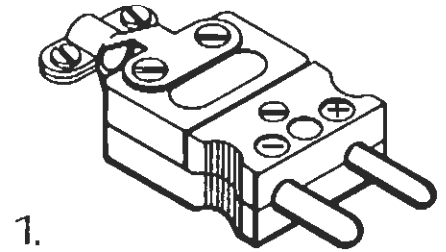


Adjustable bayonet RTDs & thermocouples



Terminations



Order information

A500	1	2	3	4	
A510	<input type="checkbox"/>	<input type="checkbox"/>	<input type="checkbox"/>	<input type="checkbox"/>	
TYPE	TERMINATION				OPTIONS
J	"B" LENGTH				"U"-Ungrounded
K	In Inches				AA-Special Construction
T					Describe
RTD					

