

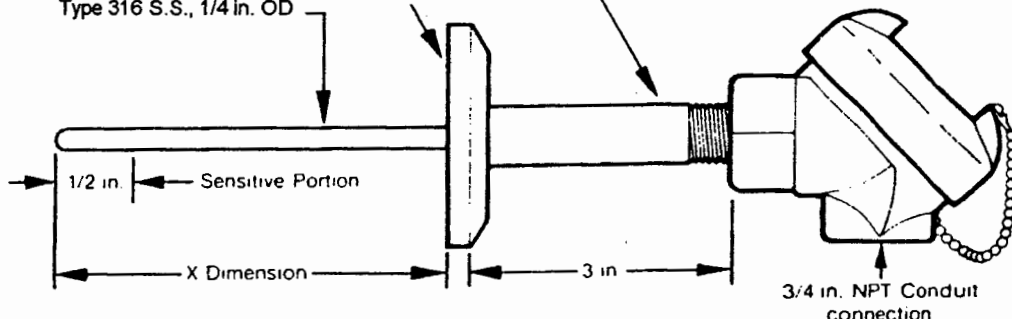
Special Purpose Sensors For Food, Dairy, Beverage, Pharmaceutical And Chemical Industries

"TRIPLE A CERTIFIED"

Thermocouple & RTD's with CIP (clean in place) Sanitary Connections

Type 304 S.S., .840 in. OD
 Sanitary Cap (heliarc welded and polished both sides)
 Type 316 S.S., 1/4 in. OD

Epoxy Coated
 Cast Aluminum
 Screw Cover
 Head Standard



ORDER NUMBER

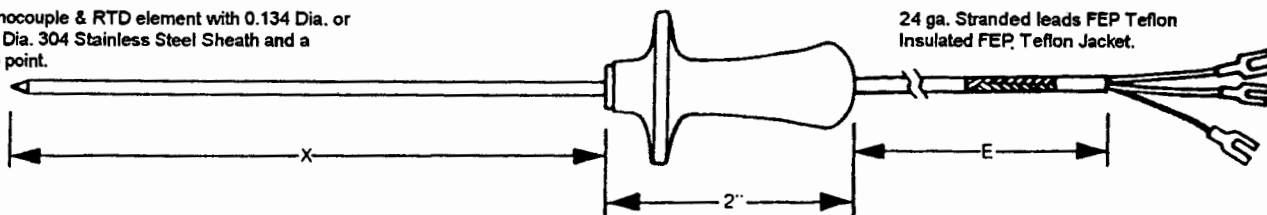
TYPE		Immersion Length "X"		Sanitary Cap Size		Sanitary Cap Style		Screw Cover	
Specify	Description	Specify	Description	Specify	Tube OD	Specify	Tube OD	Specify	
JSC	Type J	04	4 inch	1	1 1/2"	1	16A Cap-Tri Clover	-33W	Epoxy Head
KSC	Type K	05	5 inch	2	2"	2	16A Cap-Tri Clover with No. 13-H Nut	-55	Polypropylene Head
TSC	Type T	55	5 1/2 inch	3	2 1/2"	3	16APV Cap-Alloy		
RTDSC	RTD	65	6 1/2 inch	4	3"	4	Products 16APV Cap-Alloy		
		X	Other(specify)	5	Other (Describe)	*5	Products with 13-H Nut		
						6	16 AMP Cap-Tri Clover 3A4 Adaptor		
						7	16A1-141 Cap Cherry Berrell		
						8	Other (Describe)		

* Shown in Diagram

Food and Meat Processing RTD Assemblies

Thermocouple & RTD element with 0.134 Dia. or 0.180 Dia. 304 Stainless Steel Sheath and a Sharp point.

24 ga. Stranded leads FEP Teflon Insulated FEP Teflon Jacket.



ORDER NUMBER

TYPE		Probe Diameter		"X"	"E"	Code	Terminations options
Specify	Description	Specify	Description	Dimension in Inches	Dimension in Inches		
JMP	Type J	29	0.134 Dia.			2	Leads - Tinned 1/2" Stripped 2"
KMP	Type K	39	0.180 Dia.			3	Leads Stripped 2" with spade lugs
TMP	Type T					BB	Special (Describe)
RTDMP	RTD						