

Platinum Straight Thermocouple Assemblies With Double Protection Tubes

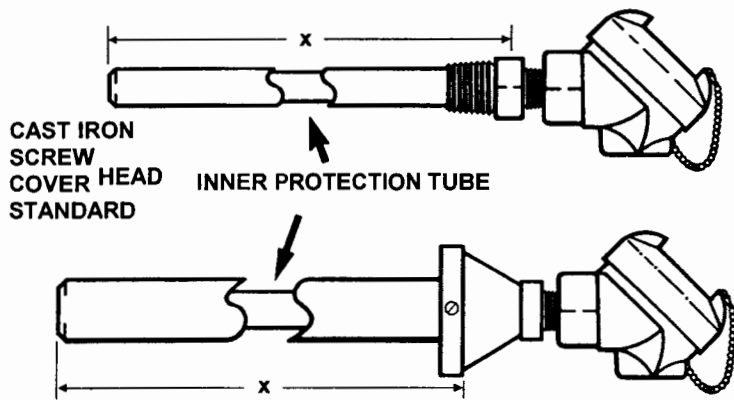


TABLE 2 OPTIONS

- B. Head with internal ground screw
 - E. (X) 1"NPT Welded Steel Bushing (Only .75 Size Tubes)
 - F. (X) 1-1/4" NPT Welded Steel Bushing (Only on .75 Sizes Tubes)
 - G. (X) 1-1/2" NPT Welded Steel Bushing (Only .75 Size Tubes)
 - H. Adjustable Steel Flange
 - I. Special Construction
 - P. Steel union and nipple to connect head to protection tube
 - K. Weatherproof Head—Aluminum
 - M. Special Limits of Error.
 - N. Open Type Terminal Head for P-R-RH T.C. Only
 - T. Heavy duty Pyco Process Head
 - V. Stainless Steel union and Nipples.
 - W. Protective epoxy coating on head —2 mil.-white only.
 - X. Explosion-proof head -CSA Approved.
- Note: Substitute length in inches from hot end to bottom of Steel bushing for (x) above. If stainless steel required, suffix SS after Option. SS = Stainless Bushing

TABLE 1

Inner Protection		Outer Protection		Tube Order Number Code			
Series	Material	Tube OD	Mounting Fitting	Series	Type R or S Thermocouple 24 Gauge	Type R or S Thermocouple 26 Gauge	Type B Thermocouple 24 Gauge
Mullite (63% Alumina)							
16A	Mullite	11/16"	3/4" NPT x 1-1/2" L Nipple	16B1	R/S 24-16A16B1	R/S 26-16A16B1	----
16A	Mullite	11/16"	3/4" NPT x 4" L.Nipple	16B4	R/S 24-16A16B4	R/S 26-16A16B4	----
16A	Mullite	11/16"	3/4" NPT x (X)" L.Nipple	16B(X)	R/S 24-16A16B(X)	R/S 26-16A16B(X)	----
16A	Mullite	11/16"	3/4" x 1/2" NPT Hex. Ftg.	16BH	R/S 24-16A16BH	R/S 26-16A16BH	----
16A	LT-1	7/8"	None or Table 2 Opts. E,F,G	12-75	R/S 24-16A1275	R/S 26-16A1275	----
16BH	Silicon Carb.	1-3/4"	None or Table 2 Opts. H	18-J	R/S 24-16BH18J	R/S26-16BH18J	----
16BH	446 SS	1.050"	None or Table 2 Opts. E,F,G,H,	5-75	R/S 24-16BH575	R/S 26-16BH575	----
16BH	Inconel 601	1.050"	None or Table 2 Opts. E,F,G,H,	7-75	R/S 24-16BH775	R/S 26-16BH775	----
Alumina (99.7% AL²O³)							
17A	Alumina	11/16"	3/4" NPT x 1-1/2" L. Nipple	17B1	R/S 24-17A17B1	R/S 26-17A17B1	B24 17A17B1
17A	Alumina	11/16"	3/4" NPT x 4" L. Nipple	17B4	R/S 24-17A17B4	R/S 26-17A17B4	B24-17A17B4
17A	Alumina	11/16"	3/4" NPT x (X)" L. Nipple	17B(X)	R/S 24-17A17B(X)	R/S 26-17A17B(X)	B24-17A17B(X)
17A	Alumina	11/16"	3/4" x 1/2" NPT Hex. Ftg.	17BH	R/S 24-17A17BH	R/S 26-17A17BH	B24-17A17BH
17A	LT-1	7/8"	None or Table 2 Opts. E,F,G	12-75	R/S 24-17A1275	R/S 26-17A1275	B24-17A1275
17BH	Silicon Carb.	1-3/4"	None or Table 2 Opts. H	18-J	R/S 24-17BH18J	R/S 26-17BH18J	B24-17BH18J

COMPLETE ORDER NUMBER

Table 1 — Select inner and outer protection tube materials, outer tube OD, and mounting fitting in Table 1. Read across to Gauge Column under required Thermocouple Type. Enter number in first box above. Note: For duplex thermocouples use Type letter twice.

Specify Protection Tube Length X in 6 inch increments (Minimum Standard: 12")
Special Lengths on request.

Options
Select from Table 2

(Example: R24 - 16A16B1—duplex becomes RR24-16A16B1)

Consult factory for optional NPT sizes and alloys