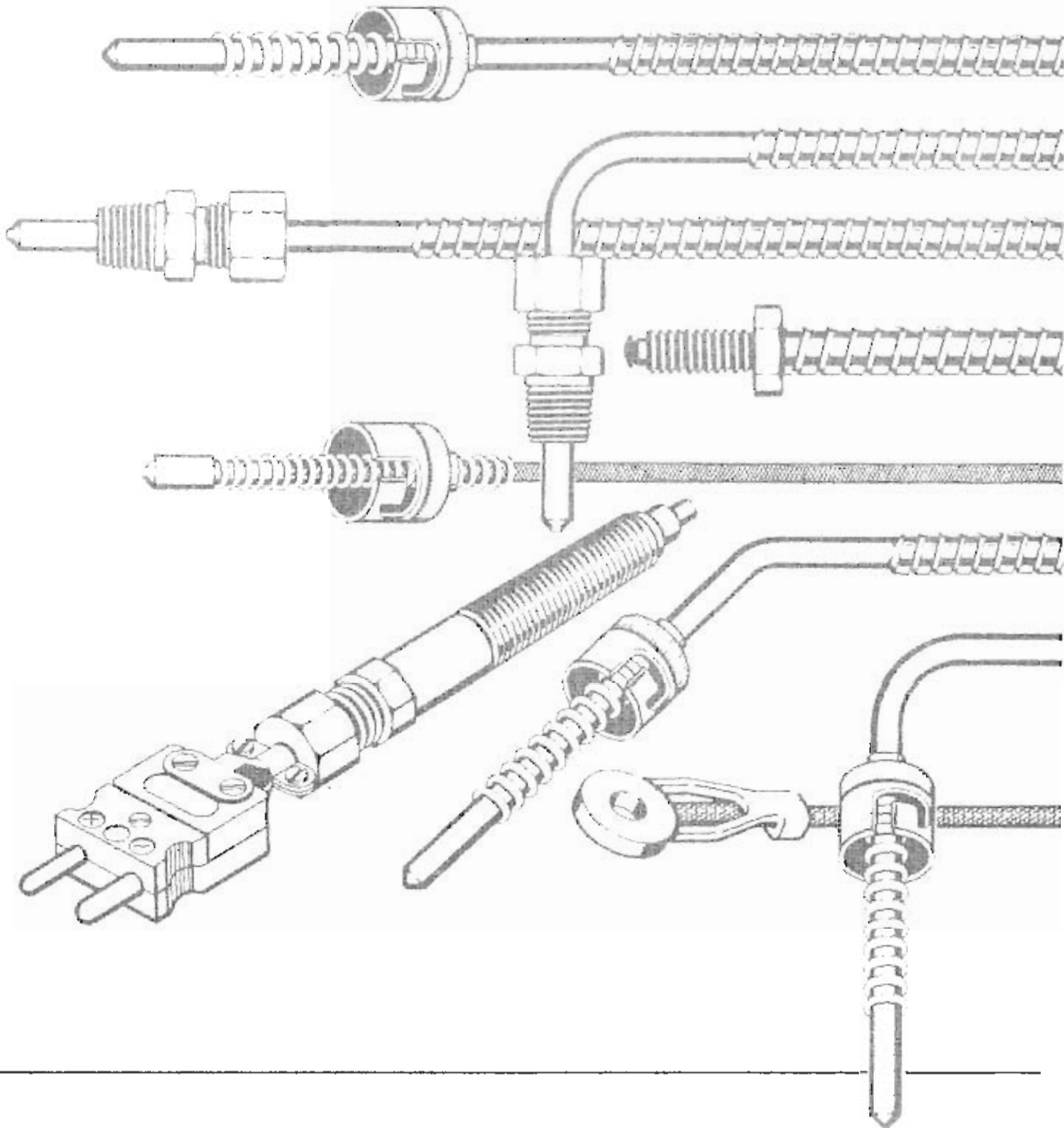


Plastics industry thermocouples & R.T.D.'s



ACROLAB

3421 Wyandotte St. E.
Windsor, Ontario N8Y 4S2
Phone: 944-5900
Fax: 944-6617

How to order thermocouples & RTDs

Very Important Information

All part numbers should include:

Catalogue number and calibration

"A" dimension (where applicable)*

"B" dimension (where applicable)*

"C" dimension (where applicable)*

"D" dimension (where applicable)*

Termination; plug (1), jack (2),
leads, spade lugs & Bx fitting
(3), leads & spade lugs (4)

*Specify all dimensions in INCHES only

NOTE: unless specified, all thermocouples are J iron/constantan
calibration with maximum operating temperature of 426°C (800°F)

Nominal O.D. of tubing is 3/16" (0.185" to 0.191")

Adjustable thermocouple tip is .250 +-.002

Other calibrations are:

(K) Chromel/Alumel

(T) Copper/Constantan

(RTD) 100 ohm at 0°C, platinum wire wound, .00385 Temperature Coefficient

A Bit About Our Thermocouples...

Adaptable

All Acrolab thermocouples and RTD's meet instrument society of
America (ISA) specifications. They are interchangeable with standard
temperature sensors and are compatible with all makes of temperature
controllers.

Custom Applications

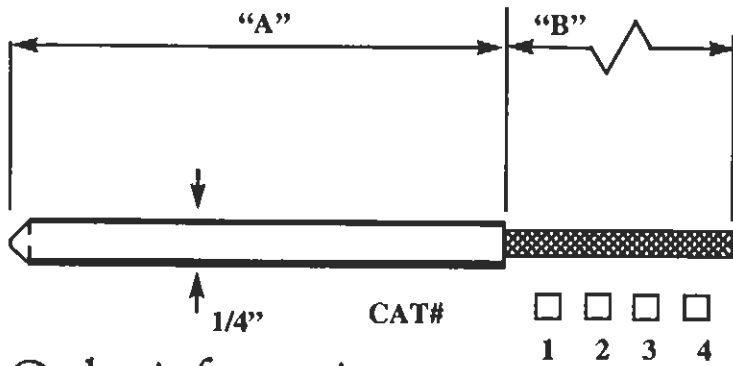
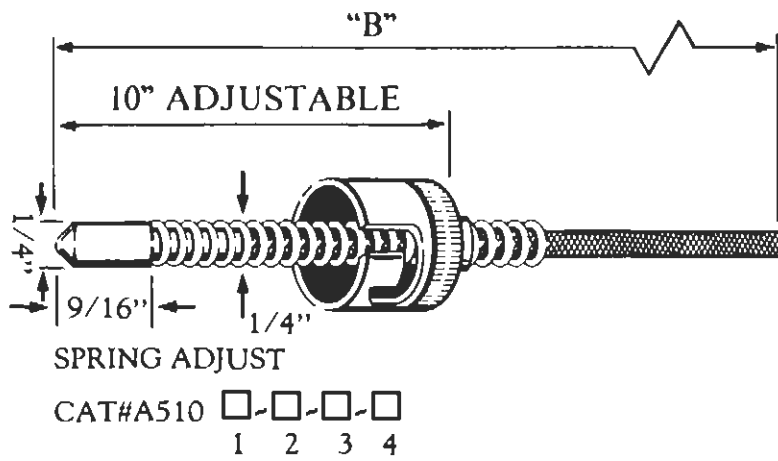
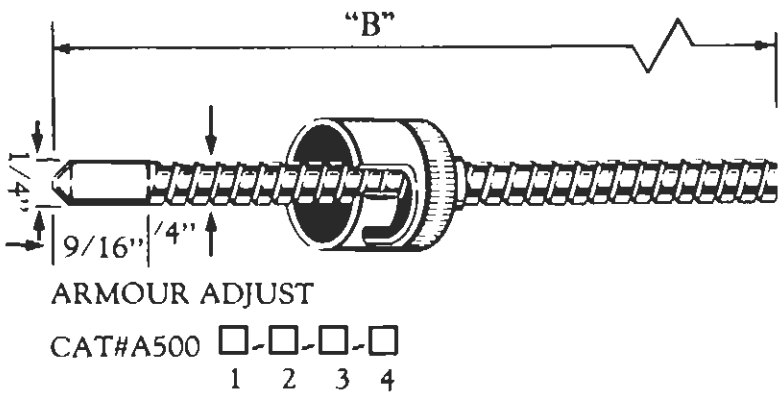
Shown in this catalogue are the most common thermocouples used in
the plastics industry. If you require an application not shown in the
catalogue, please contact Acrolab for a thermocouple, custom made to
your specifications.

Adjustable Bayonet Tips

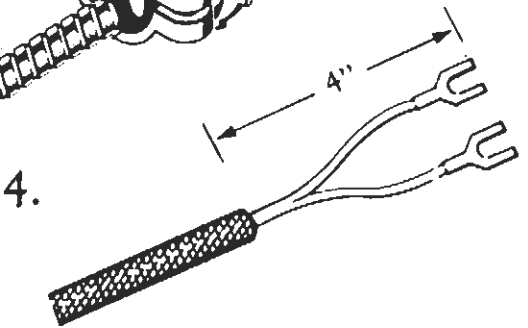
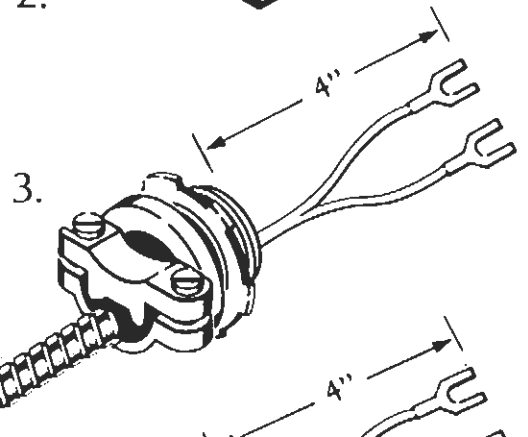
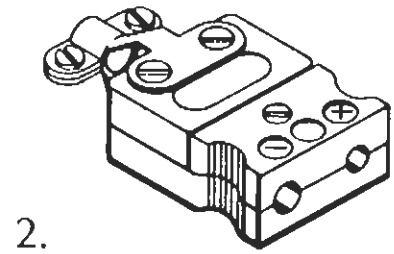
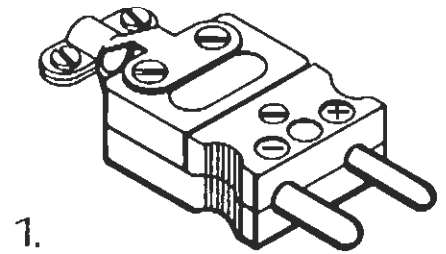
Acrolab's adjustable bayonet thermocouples are unmatched in the
industry. Their precision "drill point" tip allows for full contact with the
bottom of the drilled hole, providing the truest and most accurate
temperature measurement possible. All Acrolab thermocouples are
engineered with this attention to detail.



Adjustable bayonet RTDs & thermocouples



Terminations

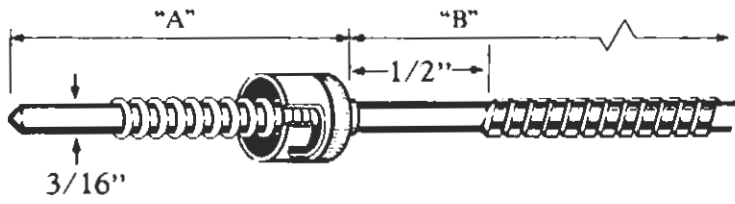


Order information

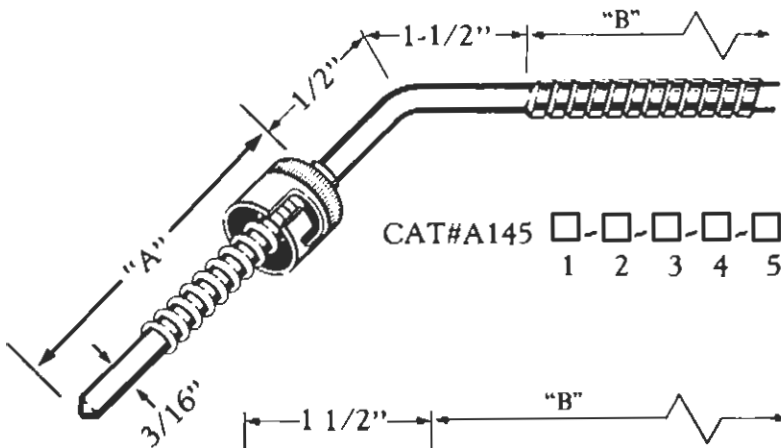
A500	1	2	3	4	
A510	<input type="checkbox"/>	<input type="checkbox"/>	<input type="checkbox"/>	<input type="checkbox"/>	
TYPE	TERMINATION				OPTIONS
J	"B" LENGTH				"U"-Ungrounded
K	In Inches				AA-Special Construction
T					Describe
RTD					



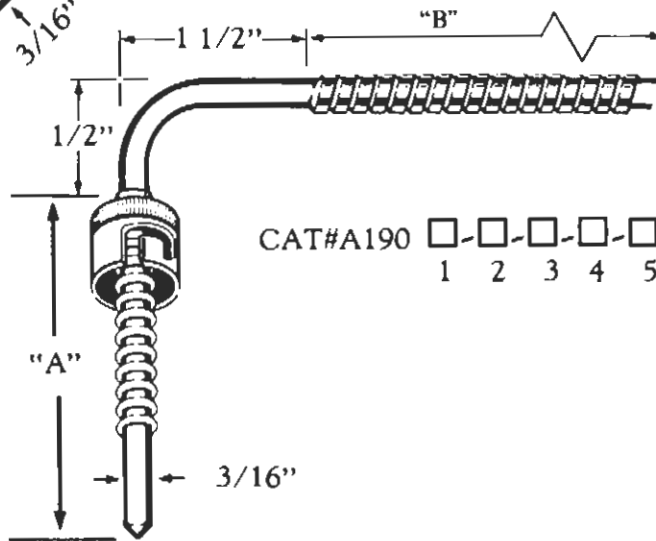
Fixed bayonet RTDs & thermocouples



CAT#A100 ----
1 2 3 4 5

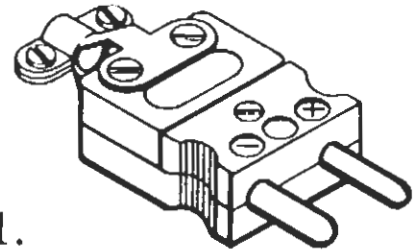


CAT#A145 ----
1 2 3 4 5

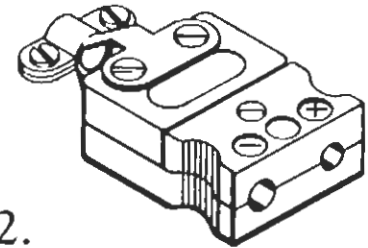


CAT#A190 ----
1 2 3 4 5

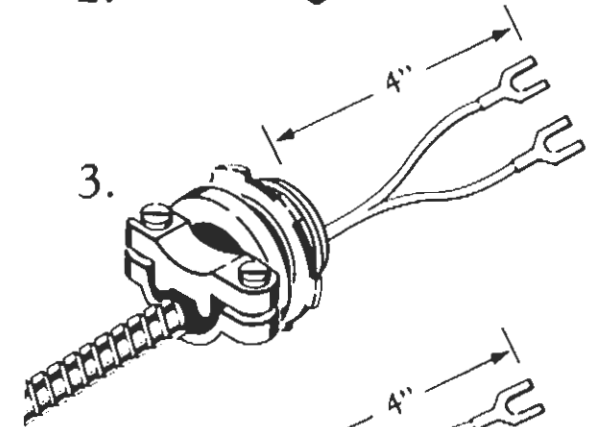
Terminations



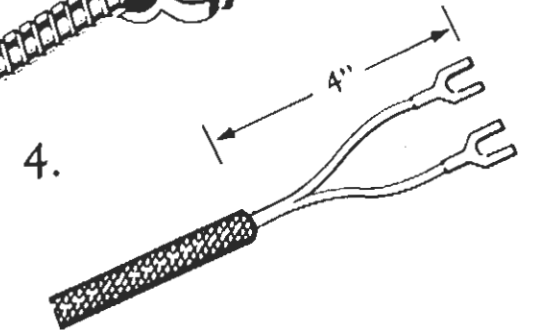
1.



2.



3.



4.

Order information

A100 1 2 3 4 5

A145 ----

A190 ----

TYPE

J

K

T

RTD

"A" LENGTH
In Inches

"B" LENGTH
In Inches

TERMINATION

1

2

3

4

OPTIONS

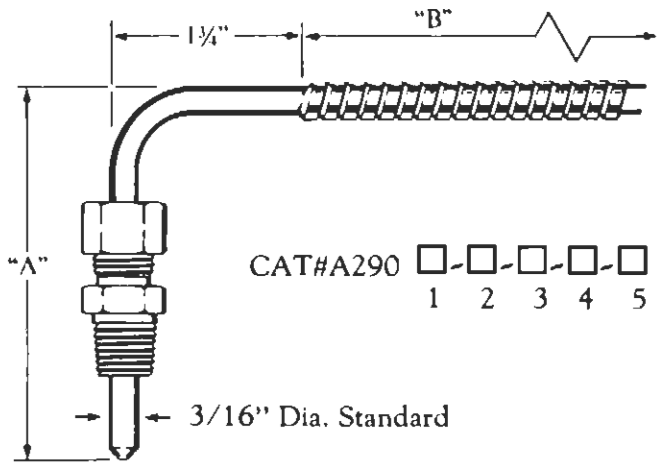
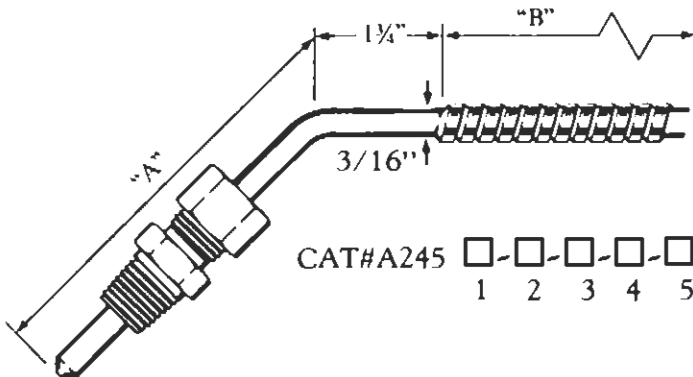
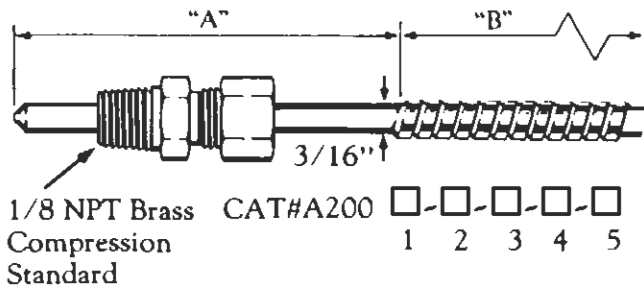
"U"-Ungrounded

AA-Special Construction

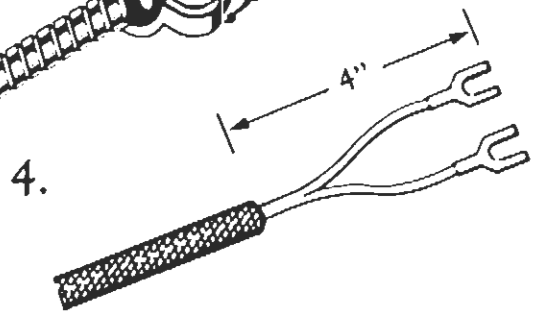
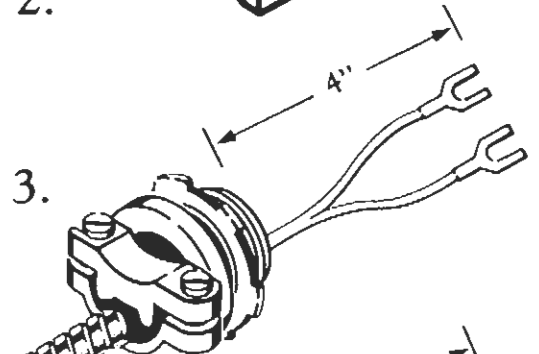
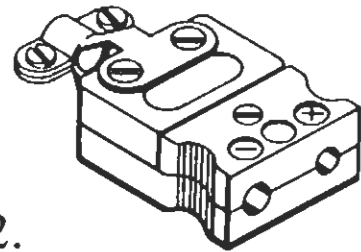
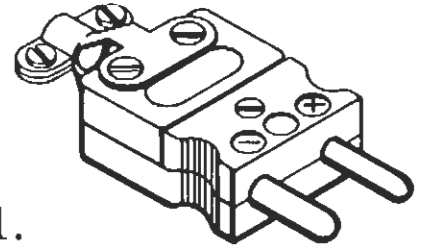
Describe



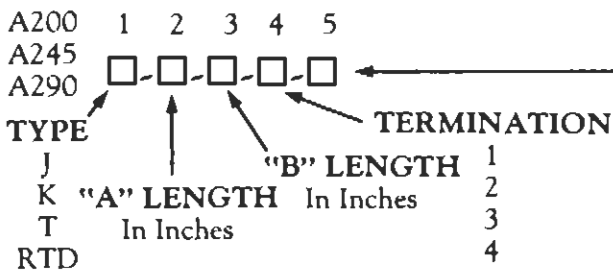
Fixed compression RTDs & thermocouples



Terminations



Order information

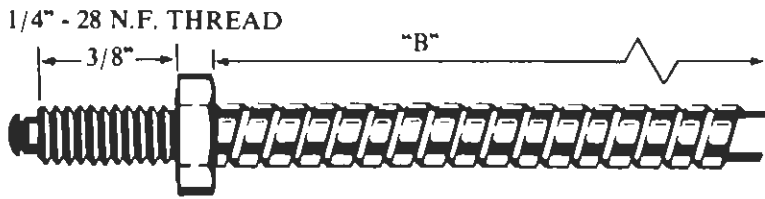


OPTIONS

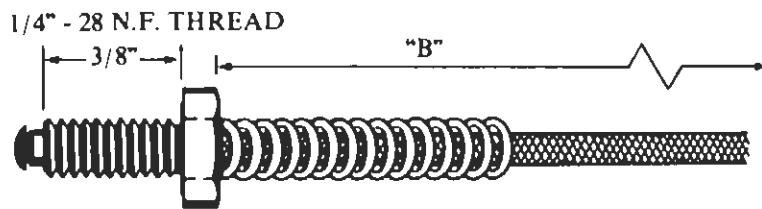
- U - Ungrounded
- W - Welded Const.
- 29 - 1/8" Dia. Probe
- 49 - 1/4" Dia. Probe
- 01 - SS Compression 1/8 NPT
- 00 - No fitting Required
- 9 - Fiberglass Wire with Stainless Overbraid
- AA - Special Construction Describe



Nozzle thermocouples & RTDs

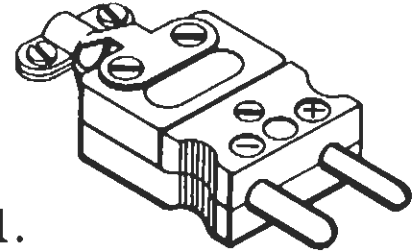


ARMOUR CAT#A300 ---
1 2 3 4

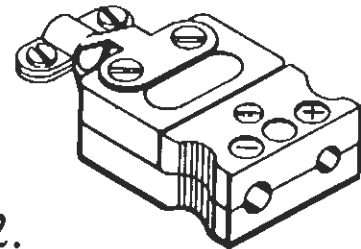


OVERBRAID CAT#A310 ---
1 2 3 4

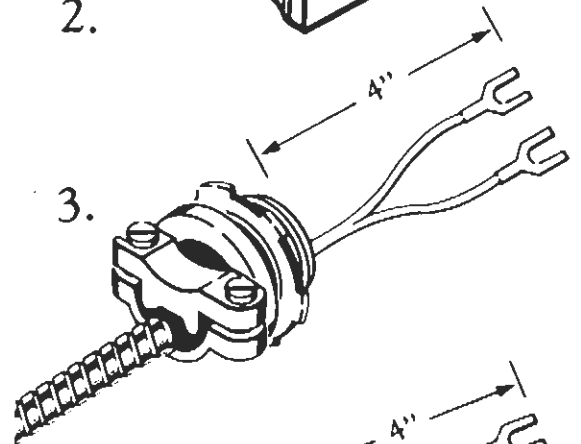
Terminations



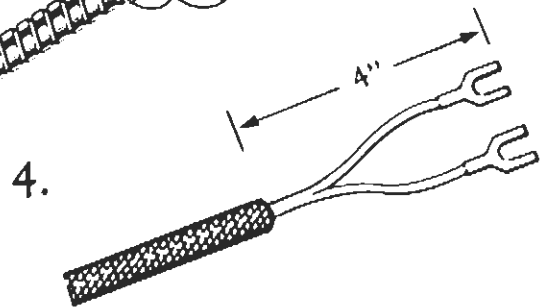
1.



2.



3.



4.

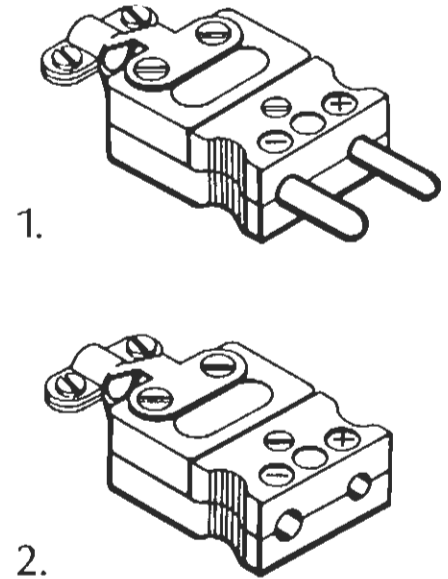
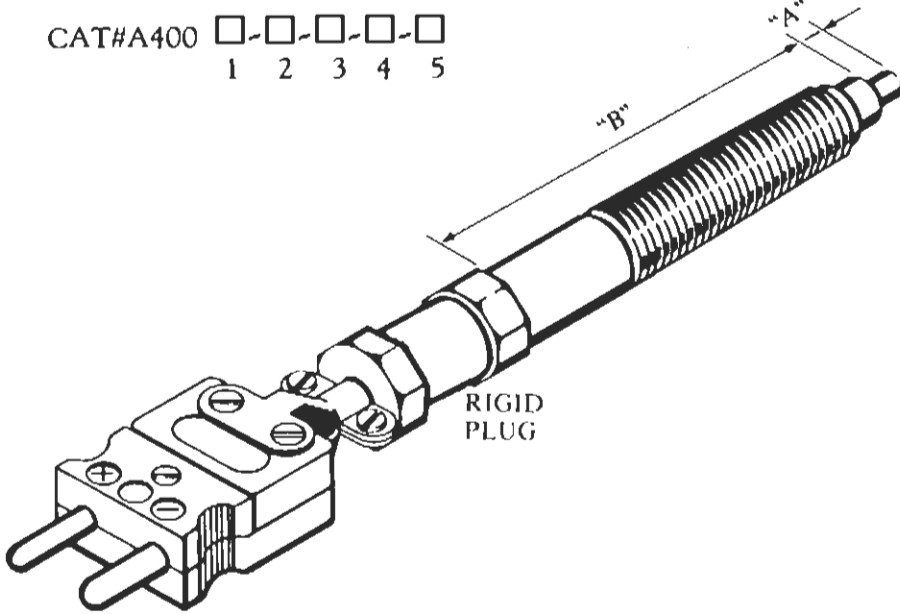
Order information

A300	1	2	3	4			
A310	<input type="checkbox"/>	<input type="checkbox"/>	<input type="checkbox"/>	<input type="checkbox"/>			
TYPE	<input type="checkbox"/> - <input type="checkbox"/> - <input type="checkbox"/> - <input type="checkbox"/>						
J					"B" LENGTH In Inches	1	OPTIONS U-Ungrounded AA-Special Bolt Describe
K						2	
T						3	
RTD						4	

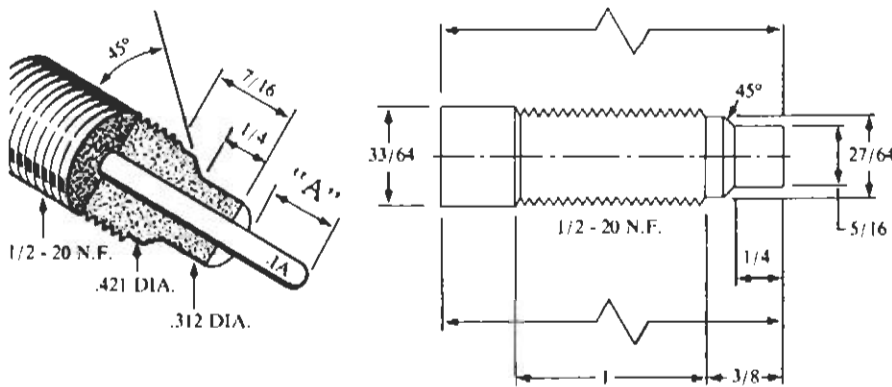


Plastic melt thermocouples & RTDs

Terminations



DETAILED DIMENSIONS



Order information

1 2 3 4 5

A400 ----

TYPE

J

K

T

RTD

"A" LENGTH

In Inches

"B" LENGTH

In Inches

(3" & 6" standard)

TERMINATION

1

2

OPTIONS

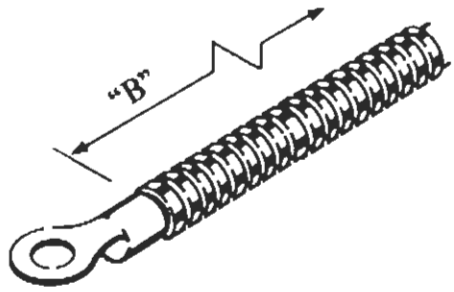
U-Ungrounded

AA-Special Const.

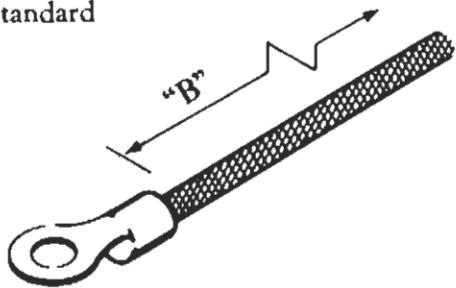
Describe



Ring type RTDs & thermocouples

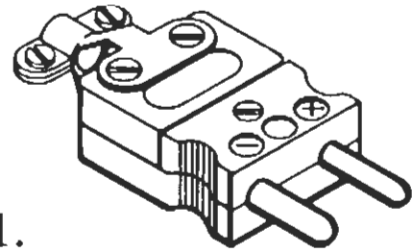


ARMOUR CAT#A700 ---
 1 2 3 4
 #10 WASHER - COPPER
 Standard

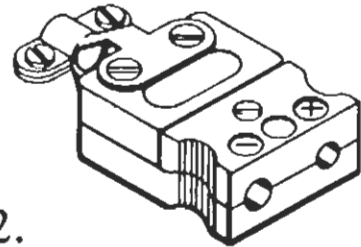


OVERBRAID CAT#A710 ---
 1 2 3 4
 #10 WASHER - COPPER
 Standard

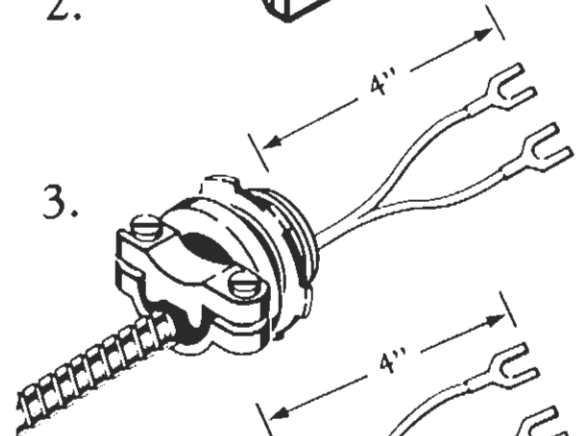
Terminations



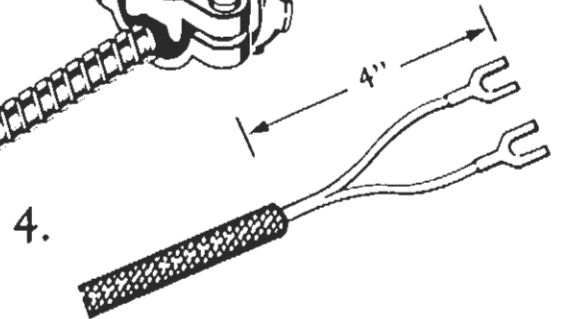
1.



2.



3.



4.

Order information

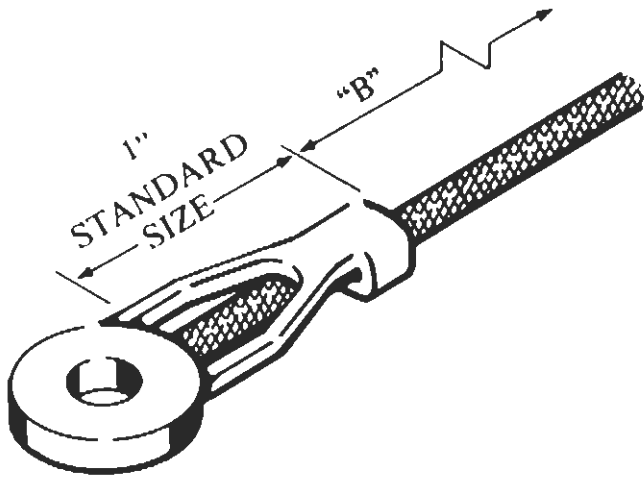
A700
A710

1 2 3 4

TYPE	"B" LENGTH In Inches	TERMINATION	OPTIONS
J		1	AA-Special Washer
K		2	Describe
T		3	
RTD		4	

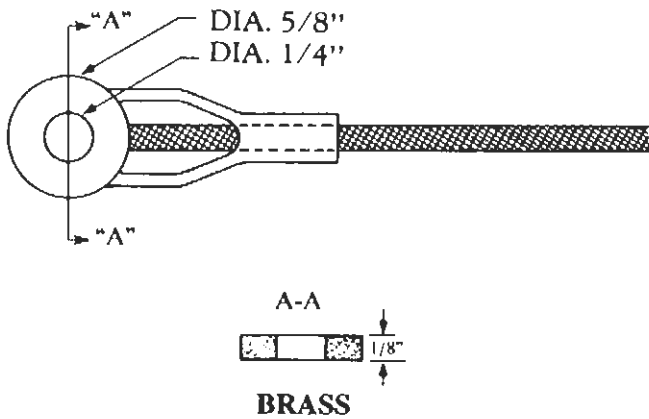


Gasket RTDs & thermocouples

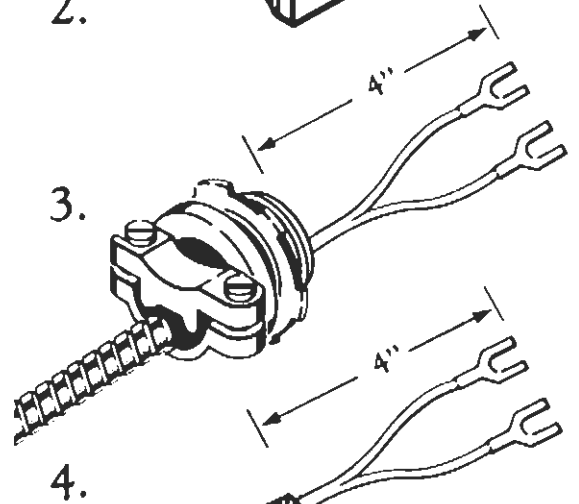
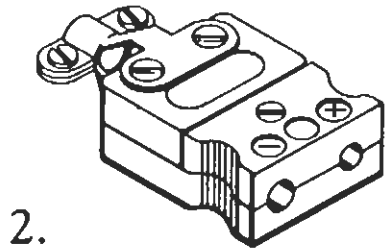
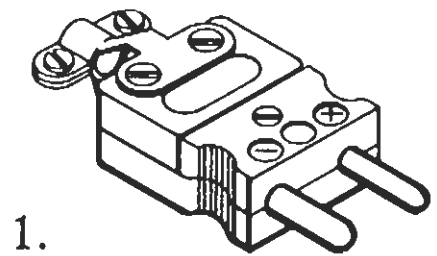


CAT#A600 ---
1 2 3 4

NOTE: Other calibrations, alloys and washer sizes, available upon request. Contact factory.



Terminations



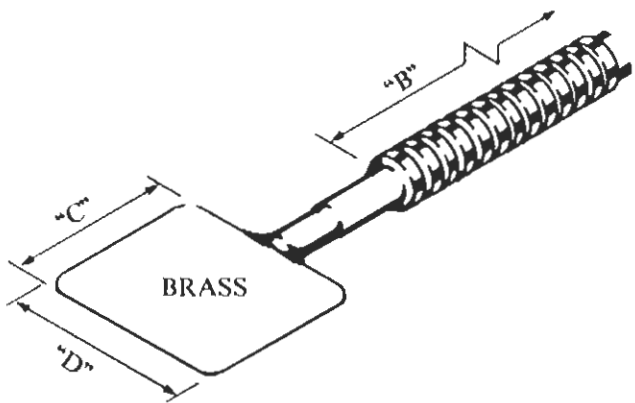
Order information

TYPE	"B" LENGTH In Inches	TERMINATION	OPTIONS
J	1	1	AA-Special
K	2	2	Describe
T	3	3	
RTD	4	4	

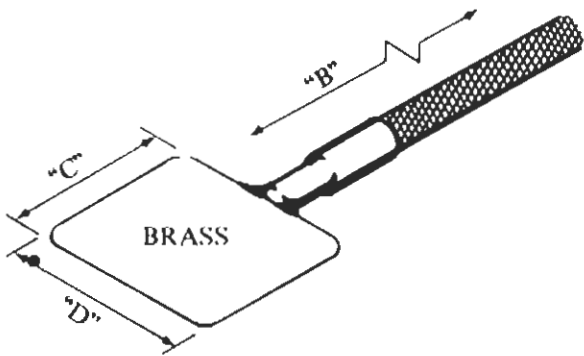


Under the band thermocouples

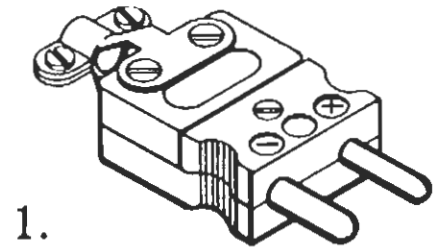
Terminations



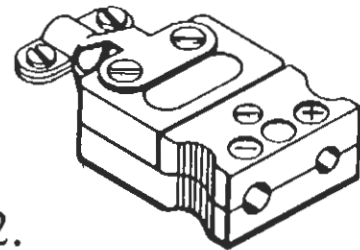
ARMOUR CAT#A800 -----
1 2 3 4 5 6



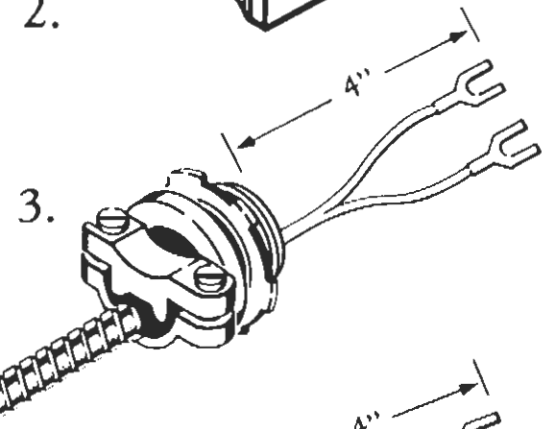
OVERBRAID CAT#A810 -----
1 2 3 4 5 6



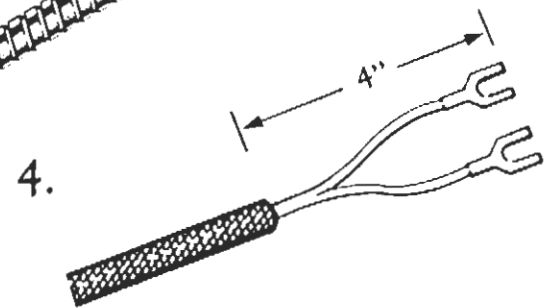
1.



2.



3.



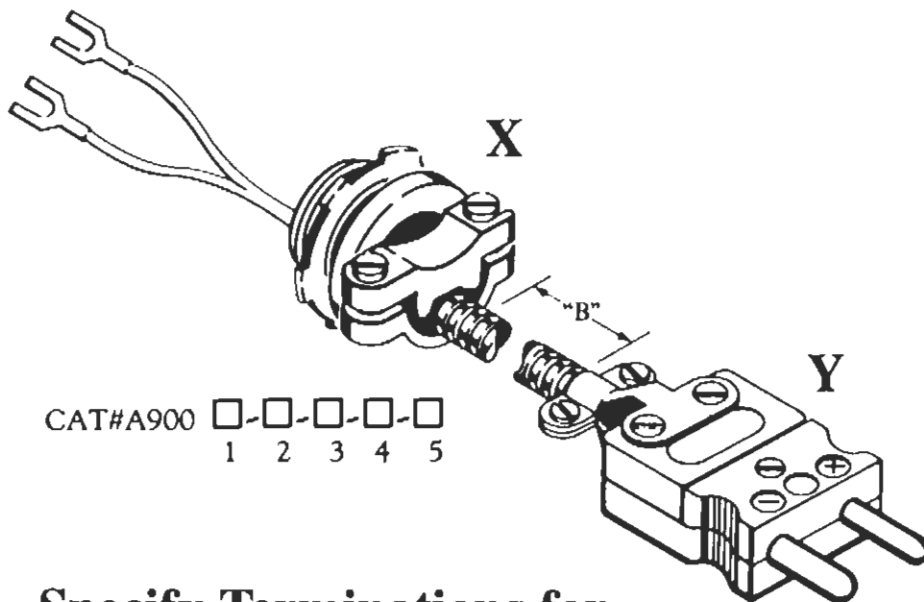
4.

Order information

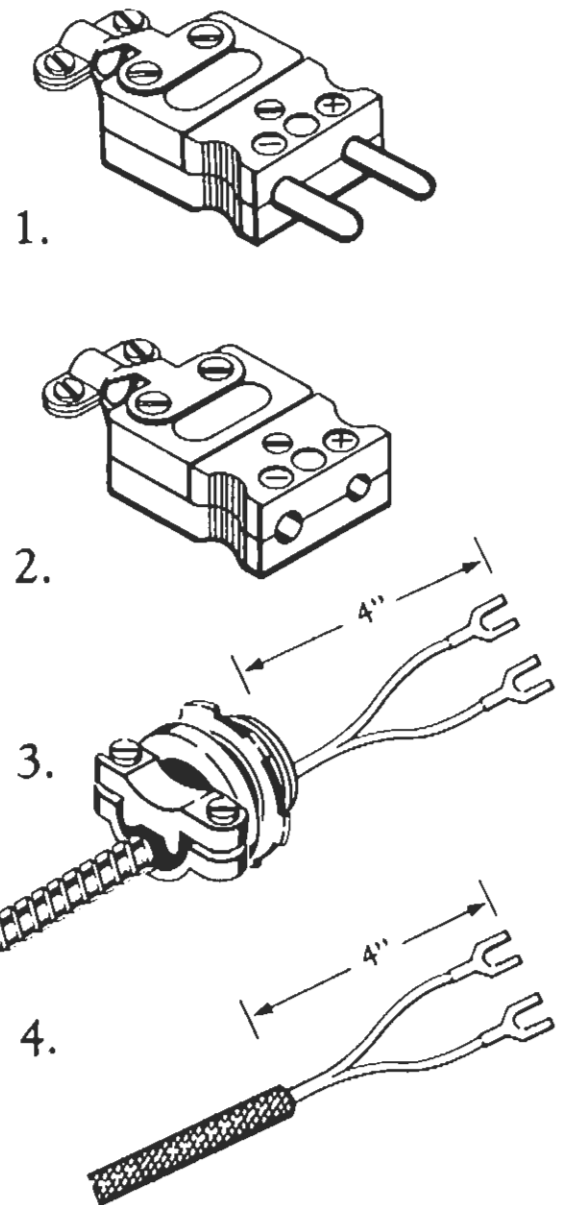
A800	1	2	3	4	5	6	
A810	<input type="checkbox"/>	<input type="checkbox"/>	<input type="checkbox"/>	<input type="checkbox"/>	<input type="checkbox"/>	<input type="checkbox"/>	← OPTIONS
TYPE							AA-Special
J							Describe
K							
T							
RTD							
	"B" LENGTH		"D" LENGTH				
	In Inches		In Inches				
			"C" LENGTH				
			In Inches				
				TERMINATION			



Extension assemblies



Terminations



Specify Terminations for X and Y ends using chart below.

CAT#A900 ----
 1 2 3 4 5

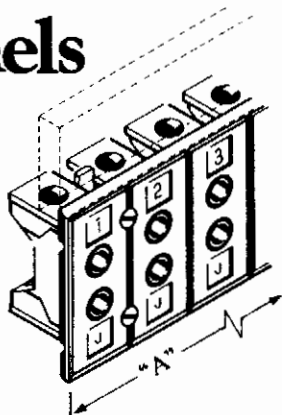
Order information

	1	2	X	Y	5	
A900	<input type="checkbox"/>	<input type="checkbox"/>	<input type="checkbox"/>	<input type="checkbox"/>	<input type="checkbox"/>	← OPTIONS
TYPE						AA-Special
J						Describe
K						
T						
RTD						
	"B" LENGTH		TERMINATIONS			
	In Inches		X Y			
			1 1			
			2 2			
			3 3			
			4 4			



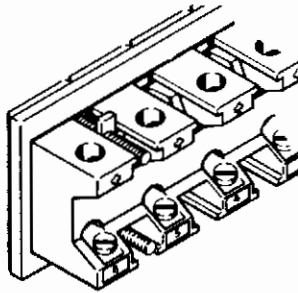
Accessories

Panels

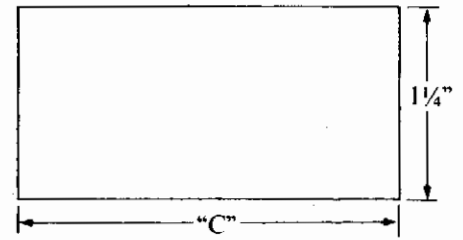


CAT# A1032 - - -

Strippanels withstand ambient temperatures up to 300°F. Strippanels for service up to 1000°F. are available on request. Add "H" to catalogue number when ordering this type.

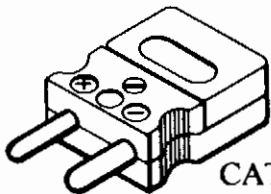


STRIPANEL MOUNTING CUTOUT DIMENSIONS

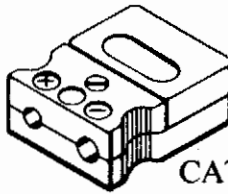


	number of circuits											
dimen- sions	2	3	4	5	6	7	8	9	10	11	12	
"A"	1 1/4"	2 1/4"	3"	3 3/4"	4 1/2"	5 1/4"	6"	6 3/4"	7 1/2"	8 1/4"	9"	
"C"	1 1/4"	2 1/4"	2 3/4"	3 1/4"	4 1/4"	5 1/4"	5 3/4"	6 3/4"	7 3/4"	8 3/4"	8 3/4"	

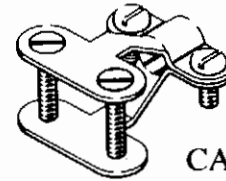
Connectors



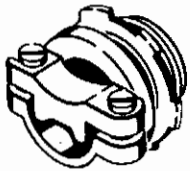
CAT# A2000 -
ISA THERMOCOUPLE PLUG



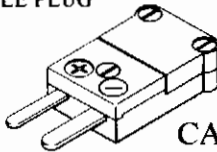
CAT# A1000 -
ISA THERMOCOUPLE JACK



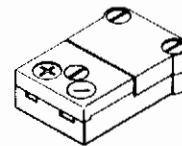
CAT# A4000 -
CABLE CLAMP



CAT# A3000 -
BX FITTING

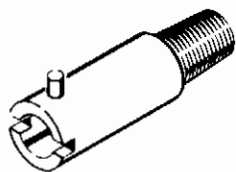


CAT# AM6000 -
ISA MINIATURE
PLUG — MALE



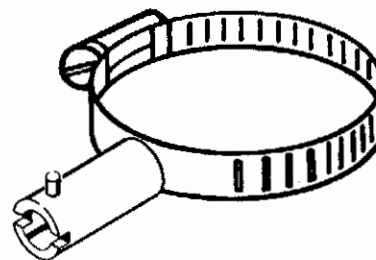
CAT# AM5000 -
ISA MINIATURE
JACK — FEMALE

Bayonet adaptors



CAT#	LENGTH	THREAD
A-01	7/8"	1/8-27 NPT
A-02	7/8"	3/8-NF-2
A-03	1-3/8"	1/8-27 NPT
A-04	1-3/8"	3/8-NF-2

Pipe clamp adaptor



FITS DIA. (O.D.)	NO.
1/2" TO 7/8"	BA-20
7/8" to 1-1/4"	BA-21
1-1/4" to 2"	BA-22
2" to 2-1/2"	BA-23
2-1/4" to 3-1/4"	BA-24
3-1/4" to 4-1/4"	BA-25
3-1/2" to 5"	BA-26

Note: above for bayonet thermo-
couples with 2-1/4" dimension

Order information

Panels

- Specify catalogue #
- Specify calibration (box 1)
- Specify number of circuits (box 2)
- Specify vertical (V) or horizontal (H) mounting (box 3)
- Specify numbering sequence if other than beginning at #1

Connectors & Bayonet Adaptors

- Specify catalogue #
- Specify calibration, J.K.R.T., or RTD
- NOTE:** unless specified, all thermocouples are type J iron/constantan calibration



Thermocouple wire

Cat. No.	Size of Wire		Insulations		Nominal over-all Size, Inches Minor x Major	Continuous Temperature Rating (°F)
	B & S Gauge	Type of Wire	Each Conductor	Over-all		
DUPLEX-ANSI TYPE K						
K20-1-304	20	Solid	Glass Braid	Glass Braid	.056 x .096	900
K20-3-302	20	Stranded	Double Glass Braided	Glass Braid	.068 x .120	900
K24-1-304	24	Solid	Glass Braid	Glass Braid	.045 x .077	900
K24-1-508	24	Solid	Fused Teflon (TFE) Tape	Fused Teflon (TFE) Tape	.048 x .080	500
K20-1-507	20	Solid	Teflon Extruded	Teflon Extruded	.070 x .120	400
K20-3-S-302	20	Stranded	Double Glass Braid	Glass/Stainless Braid	.100 x .162	900
K20-1-350	20	Solid	Ceramic Fiber	Ceramic Fiber	.096 x .147	2600
DUPLEX-ANSI TYPE T						
T24-1-304	24	Solid	Glass Braid	Glass Braid	.045 x .077	900
T24-1-508	24	Solid	Fused Teflon	Fused Teflon	.048 x .080	500
DUPLEX-ANSI TYPE J						
J20-1-304	20	Solid	Glass Braid	Glass Braid	.056 x .096	900
J20-1-507	20	Solid	Teflon (FEP) Extended	Teflon (FEP) Extruded	.070 x .120	400
J20-3-302	20	Stranded	Double Glass Braid	Glass Braid	.068 x .120	900
J-20-3-S-302	20	Stranded	Double Glass Braid	Glass Braid/Stainless Braid	.100 x .162	900
J24-1-304	24	Solid	Glass Braid	Glass Braid	.045 x .077	900
J24-1-513	24	Solid	Fused Kapton Tape	Fused Kapton Tape	.045 x .079	600
J24-1-508	24	Solid	Fused Teflon	Fused Teflon	.048 x .080	500
J20-3-512	20	Stranded	Kapton	Kapton	.055 x .102	600
DUPLEX-ANSI TYPE E						
E20-1-304	20	Solid	Glass Braid	Glass Braid	.056 x .096	900

Thermocouple extension wire

DUPLEX-ANSI TYPE KX						
K16-5-502	16	Solid	Polyvinyl	Polyvinyl	.122 x .193	221
K16-7-151	16	Stranded	Felted ServTex	ServTex Braid	.188 x .281	550
K16-5-303	16	Solid	Glass Braid	Glass Braid	.087 x .151	400
K20-7-502	20	Stranded	Polyvinyl	Polyvinyl	.093 x .149	221
DUPLEX-ANSI TYPE JX						
J16-7-151	16	Stranded	Felted ServTex	ServTex Braid	.188 x .281	550
J20-5-502	20	Solid	Polyvinyl	Polyvinyl	.093 x .149	221
J16-5-151	16	Solid	Felted ServTex	ServTex Braid	.188 x .281	550
J20-7-502	20	Stranded	Polyvinyl	Polyvinyl	.093 x .149	221
DUPLEX-ANSI TYPE TX						
T20-5-502	20	Solid	Polyvinyl	Polyvinyl	.093 x .149	221
DUPLEX-ANSI TYPE SX AND RX						
S16-5-151	16	Solid	Felted ServTex	ServTex Braid	.174 x .250	550
S16-7-151	16	Stranded	Felted ServTex	ServTex Braid	.174 x .250	550

