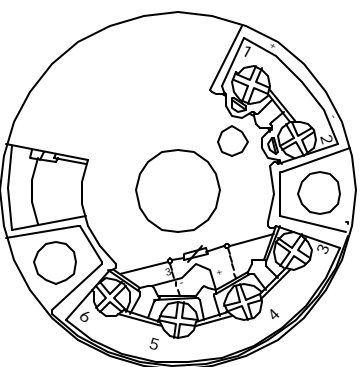


PROGRAMMABLE TEMPERATURE TRANSMITTERS - SERIES 441

The Series 441 programmable RTD temperature transmitter is a two-wire transmitter with an analog output. It has measurement input for resistance thermometers (RTD) in 2, 3 or 4 wire connection, thermocouples, resistance and voltage. Setting up for the transmitter is done using the 440-CABLE. These small units can be mounted in Acrolab heads so they can be used for surface mounting by using a 35mm DIN rail mounting clip.



Application Areas

- PC programmable temperature transmitter for converting various input signals into a scaleable (4 to 20) mA analog output signal
- Input
 - Resistance thermometer (RTD)
 - Thermocouple (TC)
 - Resistance (Ω)
 - Voltage (mV)
- Online configuration using PC with SETUP connector

Features and Benefits

- Universally PC programmable for various signals
- Galvanic isolation
- 2 wire technology, (4 to 20) mA analog output
- High accuracy in total ambient temperature range
- Fault signal on sensor break or short circuit
- RFI/EMI Protected, **CE** marked
- **UL** UL Recognized Component
- **FM** Intrinsicly safe and non-incendive for hazardous locations
- Online configuration during measurement using SETUP connector
- Online simulation