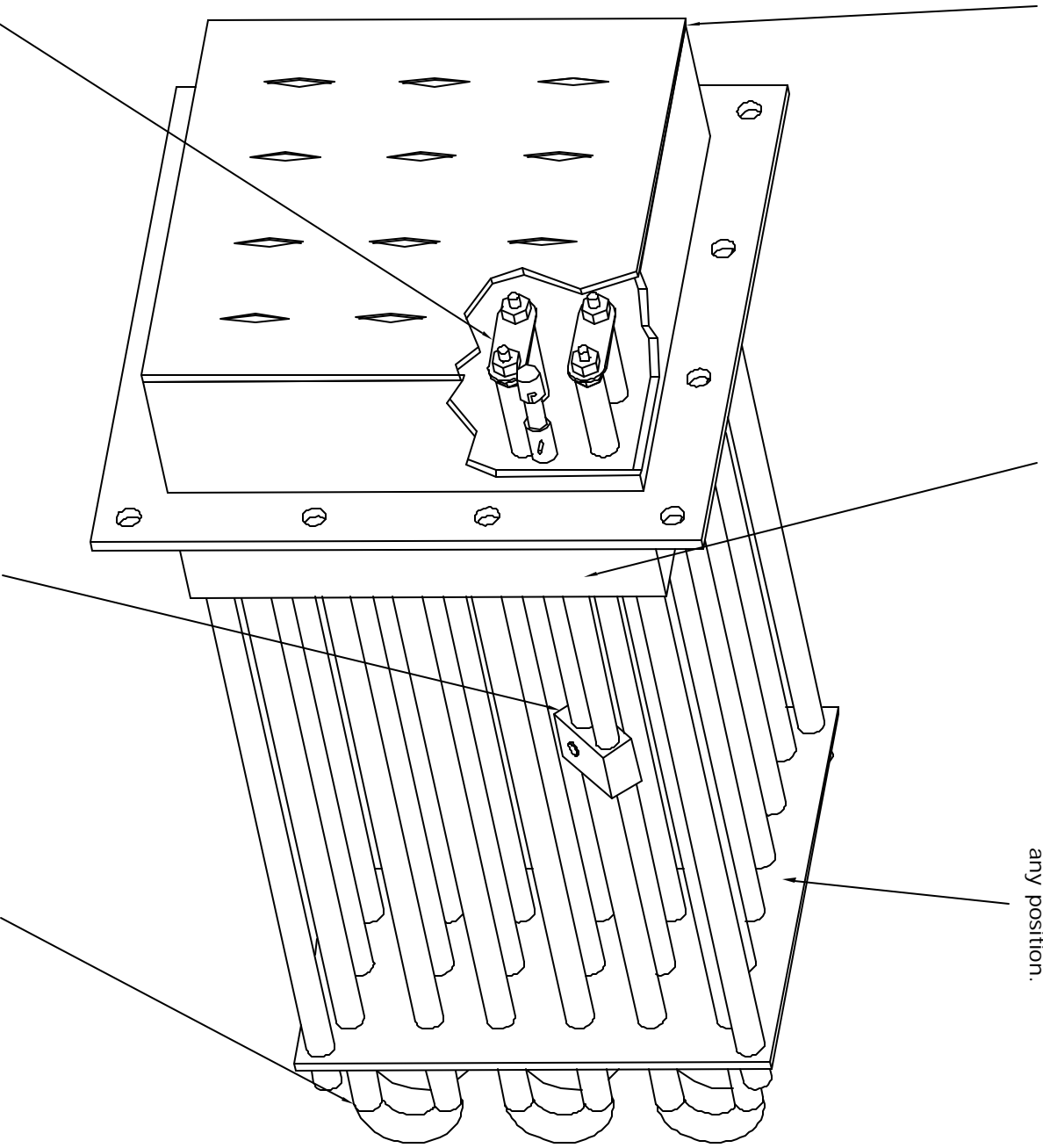


DUCT HEATERS

- ◇ Vented cover enclosing NEMA 1 terminal box. Optional NEMA 4 (moisture resistant), NEMA 7 (explosion resistant), and NEMA 12 (dust resistant).
- ◇ 3 1/4" (89mm) of mineral insulation in an aluminumized steel enclosure minimizes heat loss while keeping electrical wiring cooler.
- ◇ Heavy duty frame composed of 1/4" (6mm) steel mounting flange, corner posts, and stainless steel support plate support the heating elements in any position.



- ◇ Single screw quick release "V" clamp holds field replaceable elements. Optional Gas Tight design using compression fittings to attach elements to the flange prevents leakage of ducted gas into terminal enclosure.
- ◇ 1/4" (6mm) inside diameter thermowell accessed through a 1/8" NPT tapped hole in the flange allows installation of an optional Type J or K thermocouple for sensing the element temperature. An excellent safeguard for your system.
- ◇ Elements are 0.430 in. (11mm) diameter and have Incoloy* sheaths for excellent corrosion and scaling resistance at high temperatures. Element hairpin bends are spanked in special dies to re-compact the MGO refractory to eliminate any electrical insulation voids.