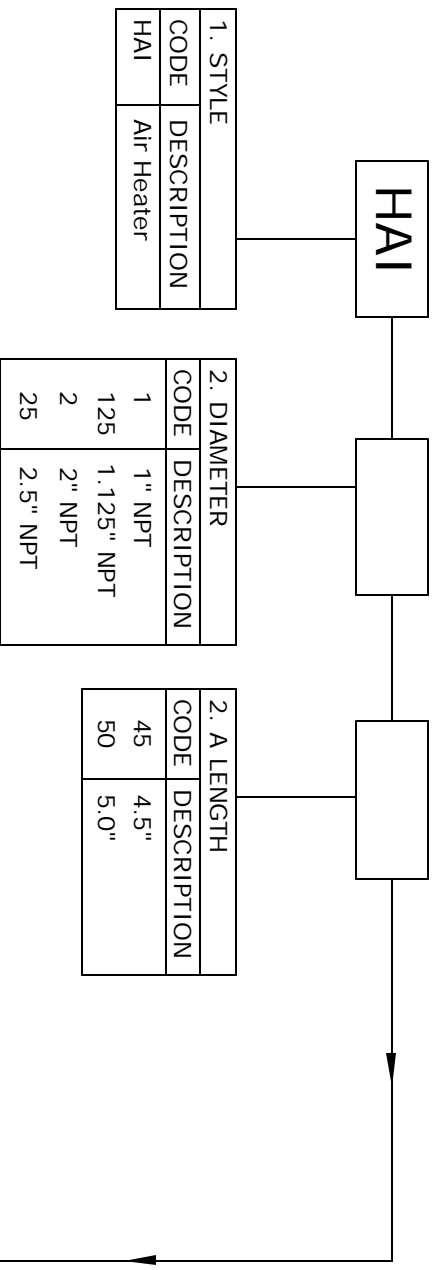


AIR HEATERS



| 5. VOLTAGE | 6. WATTAGE |
|------------|------------|
| 120 | 400 |
| 240 | 600 |

| 7. OPTIONS | DESCRIPTION |
|------------|-------------------------------|
| 1A | 1/8" NPT female NPT on Inlet |
| 1B | 1/8" NPT female NPT on Outlet |
| 3A | 3/8" NPT female NPT on Inlet |
| 3B | 3/8" NPT female NPT on Outlet |
| 3P | 3 Prong Socket |
| LD | 36" Fiberglass Leads |
| TC | T/C at Outlet |

