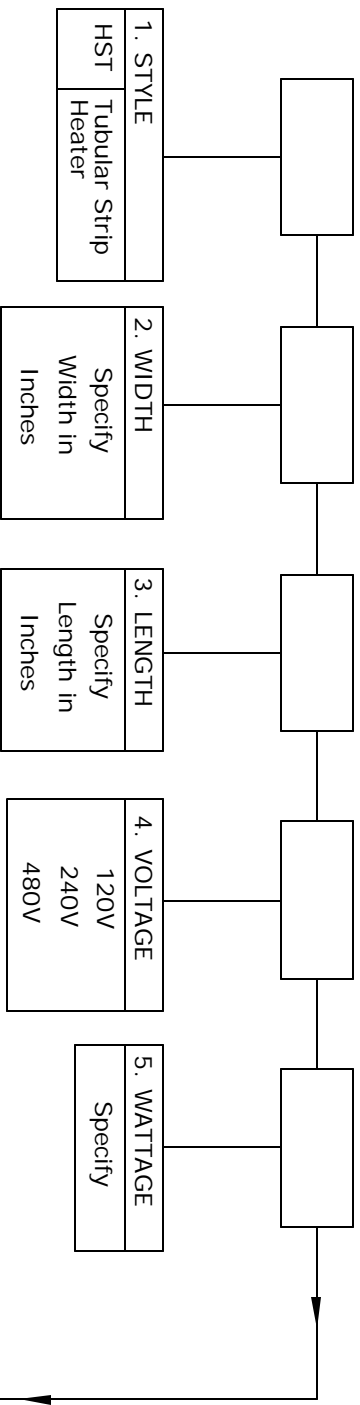


TUBULAR STRIP HEATERS



7. LEAD LENGTH
Specify Length in Inches

6. TERMINATION TYPE	
CODE	DESCRIPTION
GM	SS armor leads & 90° copper elbow
E	SS braids with strain relief
H	SS armor leads exiting straight
K	European plugs
G	Terminal Boxes
A	Screw terminals at opposite ends
B1	Parallel screw terminals along the width
B2	Parallel screw terminals along the length
L	Fiberglass leads on width, one location
LF	Fiberglass leads with stainless steel overbraid
J	Fiberglass leads on width, seperated leads
JF	Fiberglass leads with stainless steel overbraid

8. OPTIONS	
CODE	DESCRIPTION
MH	Mounting Holes
TH	Thermocouple Hole (specify size and location)