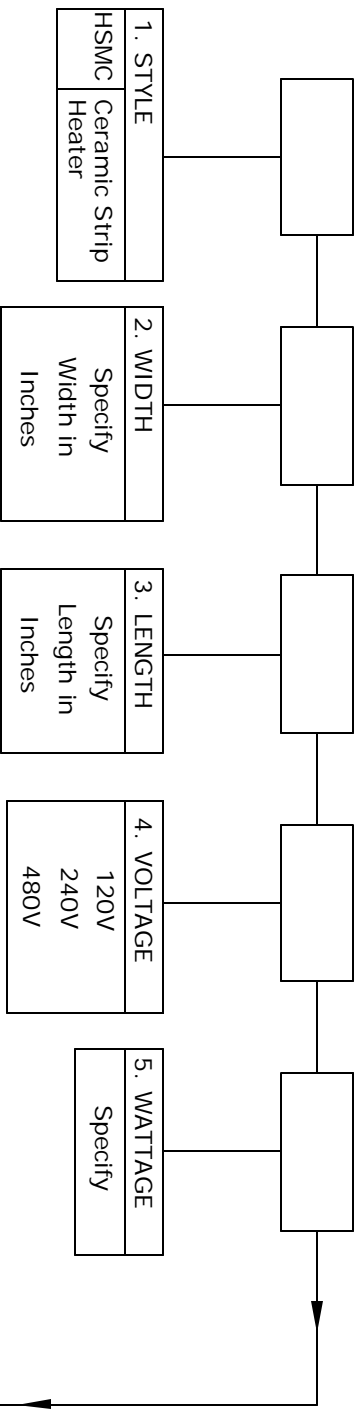


CERAMIC STRIP HEATERS



1. STYLE	
HSMC	Ceramic Strip Heater

2. WIDTH	Specify Width in Inches
----------	-------------------------

3. LENGTH	Specify Length in Inches
-----------	--------------------------

4. VOLTAGE	120V 240V 480V
------------	----------------------

5. WATTAGE	Specify
------------	---------

6. TERMINATION TYPE	
CODE	DESCRIPTION
GM	SS armor leads & 90° copper elbow
E	SS braids with strain relief
H	SS armor leads exiting straight
K	European plugs
G	Terminal Boxes
A	Screw terminals at opposite ends
B1	Parallel screw terminals along the width
B2	Parallel screw terminals along the length
L	Fiberglass leads on width, one location
LF	Fiberglass leads with stainless steel overbraid
J	Fiberglass leads on width, separated leads
JF	Fiberglass leads with stainless steel overbraid

7. LEAD LENGTH	Specify Length in Inches
----------------	--------------------------

8. OPTIONS	
CODE	DESCRIPTION
MH	Mounting Holes
TH	Thermocouple Hole (specify size and location)