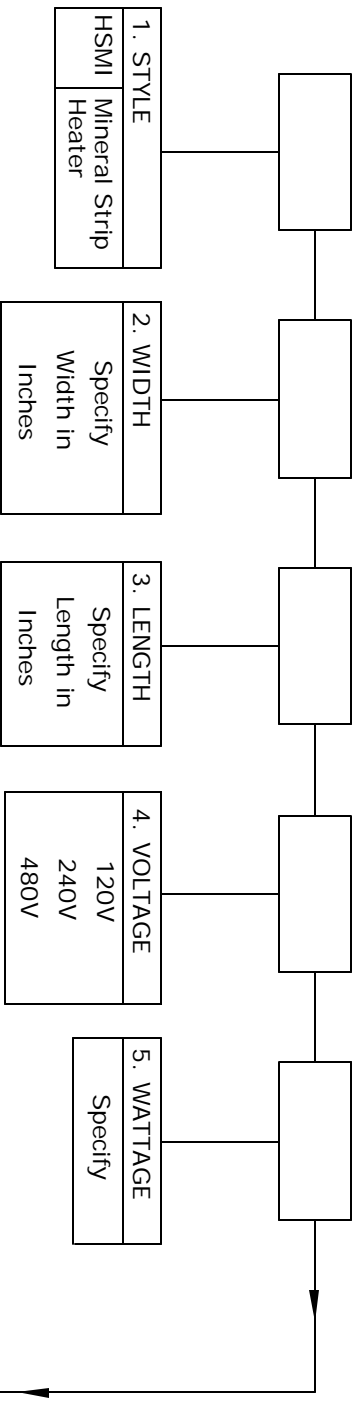


MINERAL STRIP HEATERS



6. TERMINATION TYPE	
CODE	DESCRIPTION
GM	SS armor leads & 90° copper elbow
E	SS braids with strain relief
H	SS armor leads exiting straight
K	European plugs
G	Terminal Boxes
A	Screw terminals at opposite ends
B1	Parallel screw terminals along the width
B2	Parallel screw terminals along the length
L	Fiberglass leads on width, one location
LF	Fiberglass leads with stainless steel overbraid
J	Fiberglass leads on width, seperated leads
JF	Fiberglass leads with stainless steel overbraid

7. LEAD LENGTH	
Specify Length in Inches	

8. OPTIONS	
CODE	DESCRIPTION
MH	Mounting Holes
TH	Thermocouple Hole (specify size and location)