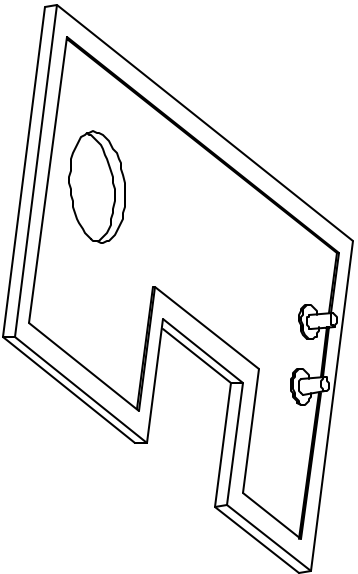


MICA STRIP HEATERS

Megaplate mica insulated strip heaters are economical heat sources, suitable for providing heat to flat surfaces. The sheath temperature limitation is 900° F. These heaters can be made to include pressure plates that improve uniformity and heat transfer. Megaplate heaters are available in many electrical termination styles, and can accommodate holes and cut-outs.

Megaplate mica insulated strip heaters utilize the finest quality muscovite and phlogobite mica, different high-grade alloys of resistance wire, and stainless steel sheathes. The proper components are selected and the heater is designed according to the requirements of each application.



Mounting slots, holes and cutouts can incorporated into the design of teh strip heaters without compromising watt density and heater performance. However, there are design limitations to be considered and the factory should be consulted prior to placing any orders.

