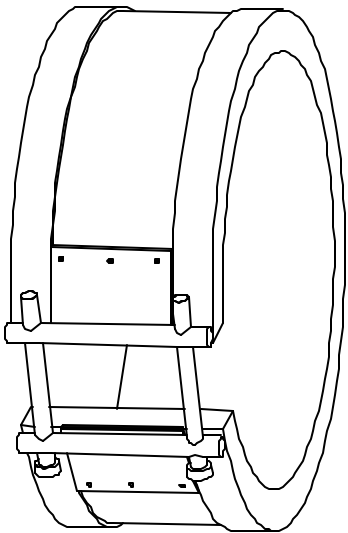
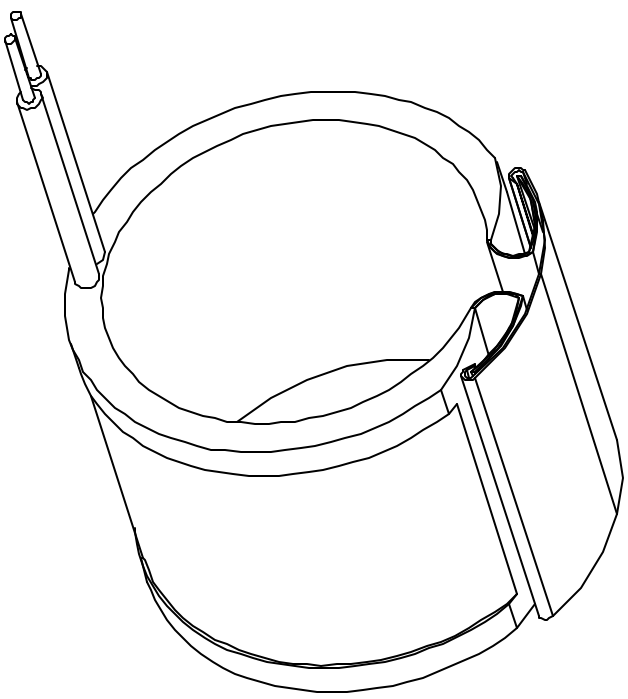


BAND HEATERS (OPTIONS)

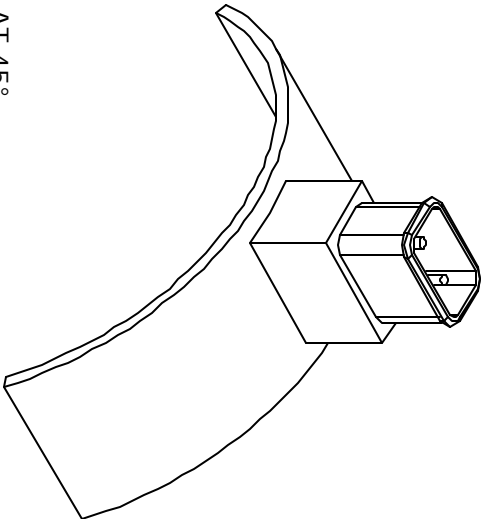
BUILT IN BARREL NUTS
Code: BN



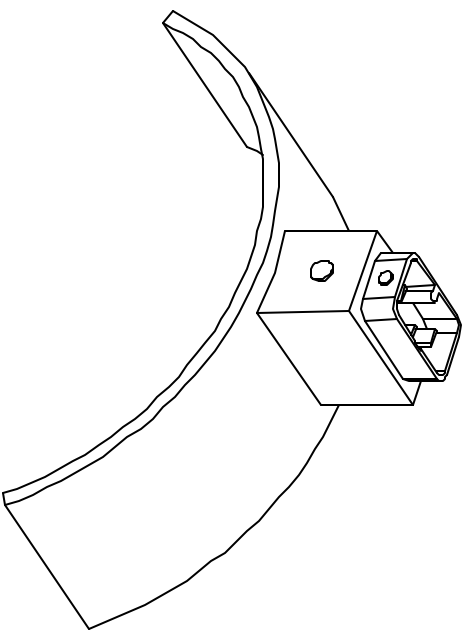
WEDGE-LOCK
Code: WL



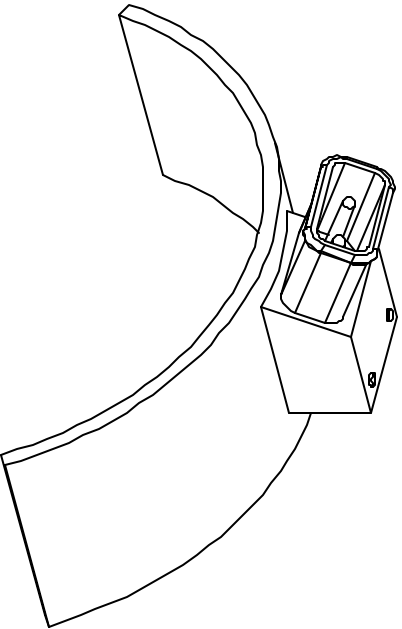
VERTICAL WITH BOX
Code: K00



3 PRONG WITH GROUND
Code: K3P



AT 45°
Code: K45



TANGENTIAL WITH BOX
Code: K90

