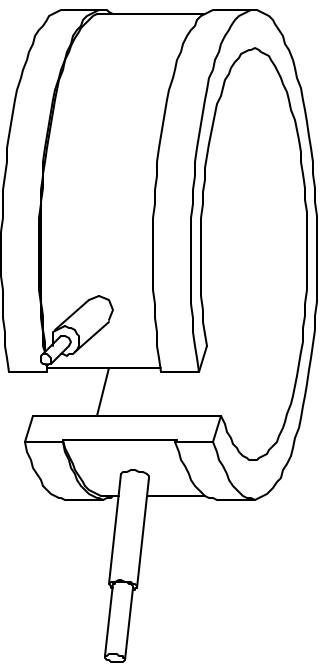


BAND HEATERS (OPTIONS)

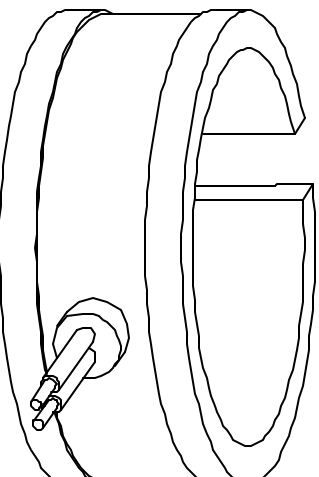
LEADS ON BOTH SIDES OF GAP

Code: F



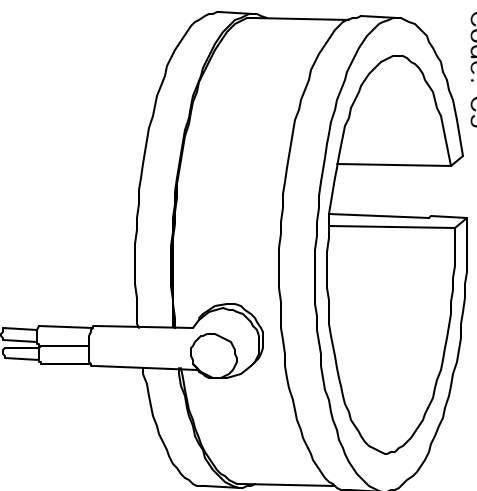
LEADS OPP. GAP

Code: D



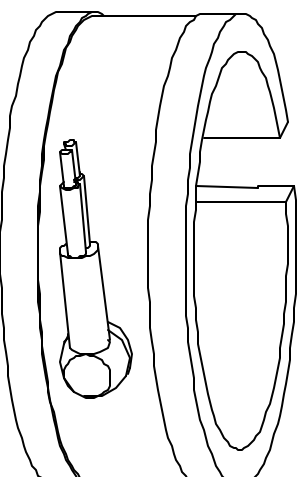
LEADS W/ CAP OPP. GAP

Code: C5



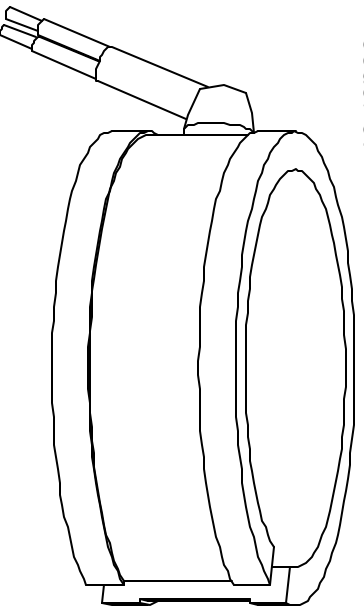
LEADS W/ 90° CAP OPP. GAP

Code: C6



LEADS W/ CAPP OPP. GAP AT ANGLE

Code: C7



SCREW TERMINALS (A)

Code: A

