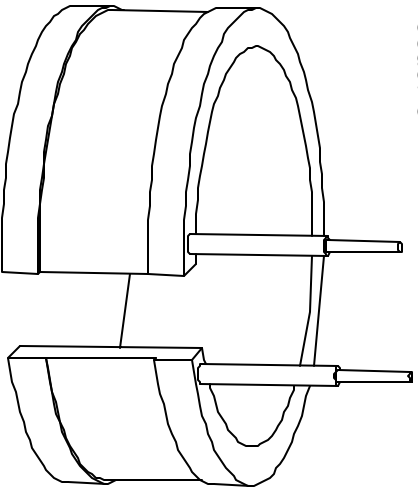
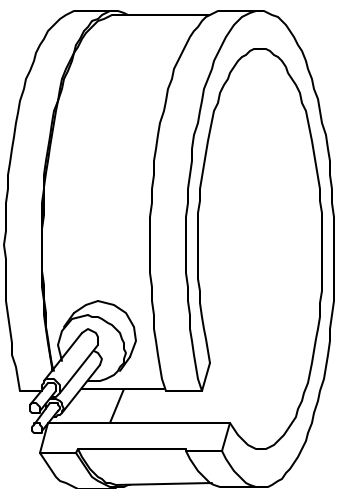


BAND HEATERS (OPTIONS)

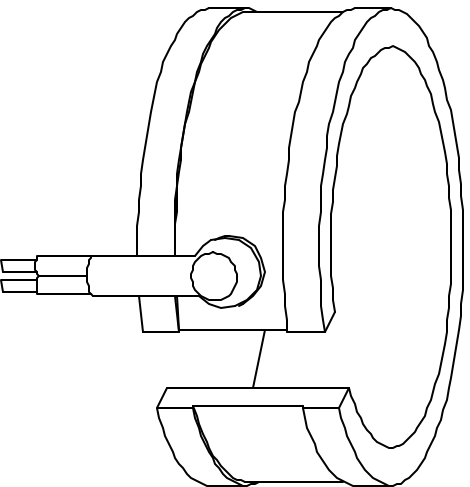
LEADS NEAR GAP
Code: C



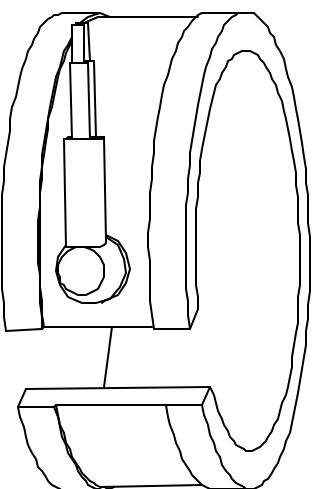
LEADS NEAR GAP (B)
Code: E



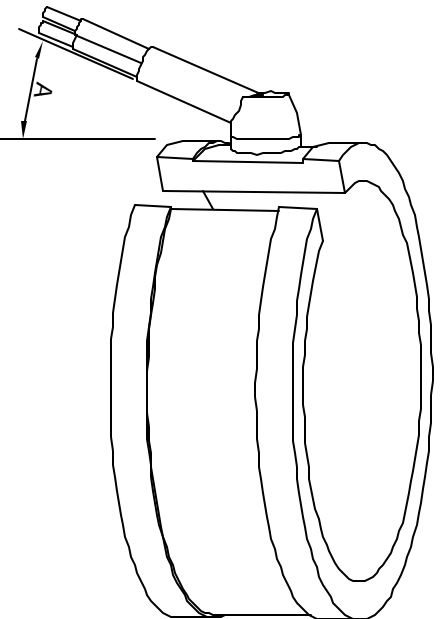
LEADS W/ CAP NEAR GAP
Code: C1



LEADS W/ 90° CAP NEAR GAP
Code: C2



LEADS W/ CAP AT ANGLE
Code: C3



LEADS OPP. GAP
Code: I

