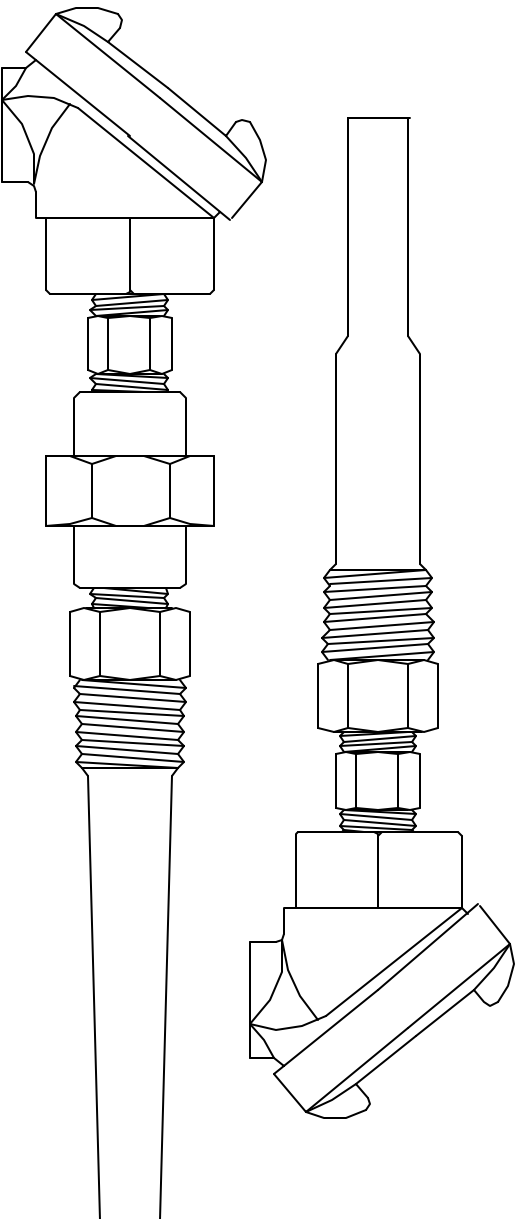


# THERMOCOUPLE ASSEMBLIES WITH PRESSURE TIGHT WELLS



Thermocouples with thermowell's are designed for applications where the thermocouple itself is not able to stand up to the media being measured. They are also designed to be used in applications where the media being measures is under alot of pressure or where the application does not permit the removal of the thermocouple without draining the contents of such things as tanks or vessels.