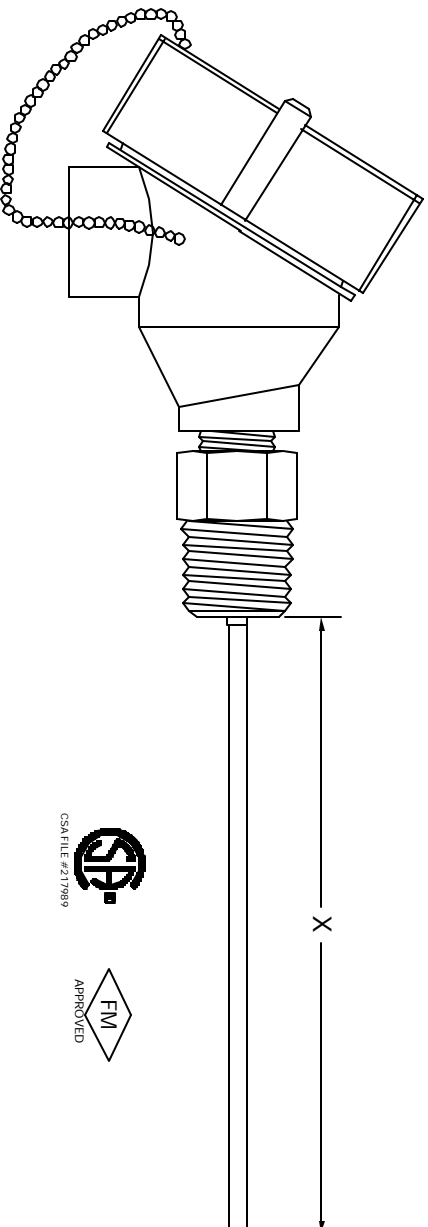


EXPLOSION PROOF APPROVED FIXED ELEMENT THERMOCOUPLE ASSEMBLIES - MODEL 70-82



Explosion Proof Fixed Element Thermocouples are for use in U.S. and Canadian hazardous areas. They are designed to extinguish flames inside the device eliminating the potential for ignition of flammable mixtures in the surrounding atmosphere. FM and CSA approved assemblies, dependant on connection head type, meet XP Class I, Division 1, Group A, B, C and D; DIP Class II, Division I, Groups E, F, G and Class III, Division 1. They may be installed directly in the process without being inserted into a thermowell. The assemblies feature 316 stainless steel sheaths in various diameter sizes and ungrounded isolated junctions. They are available with or without process mountings and with aluminum or stainless steel explosion proof connection heads.