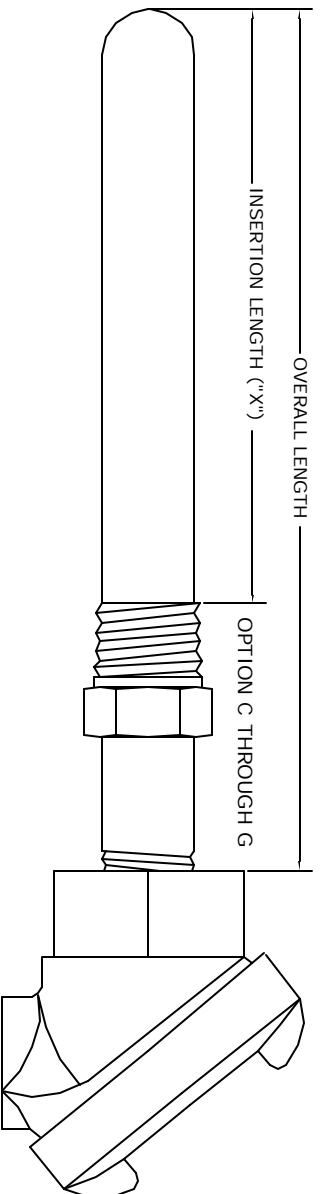


STRAIGHT THERMOCOUPLE ASSEMBLIES WITH METAL PROTECTION TUBES



Acrolab's straight metal protection tube thermocouple assemblies are designed for a wide variety of medium to high temperature, corrosive and non corrosive industrial applications. Various pipe diameters and lengths are available as well as many options for mounting, etc...