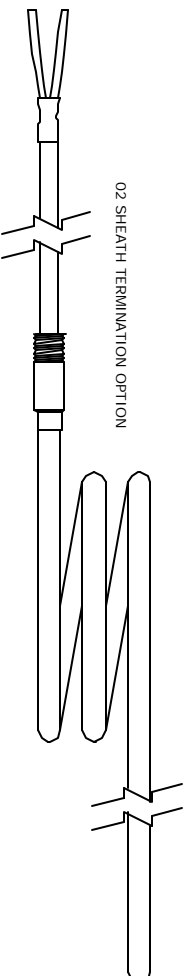
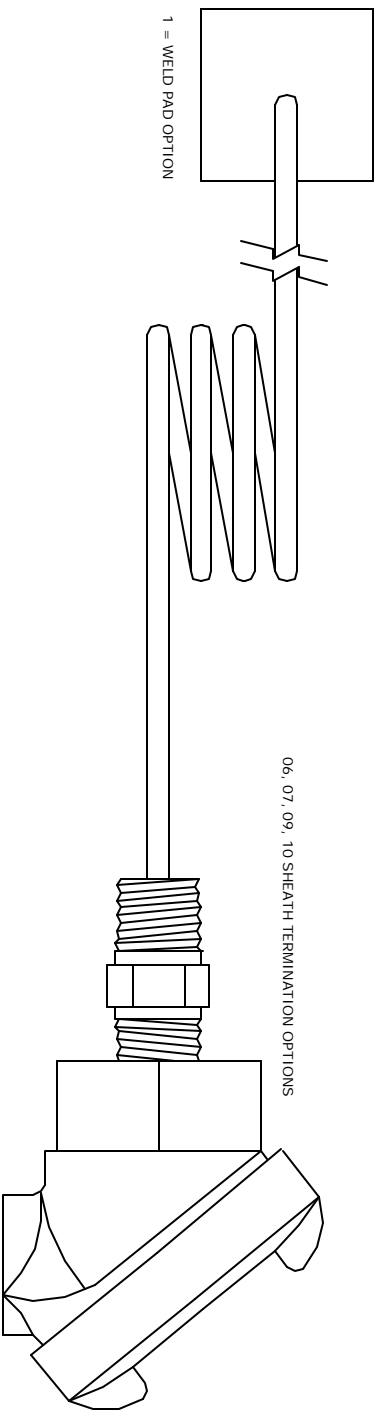


TUBESKIN THERMOCOUPLE ASSEMBLIES



Acrolab's Tubeskin Thermocouples are designed to be welded directly to boiler pipes and the like. They are manufactured using a flexible Magnesium Oxide 316SS or 310SS sheath. Various mounting devices and terminations are available. Acrolab has the ability to provide you with countless custom designs and specifications as well.