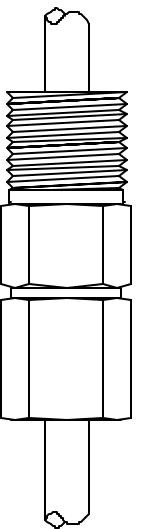
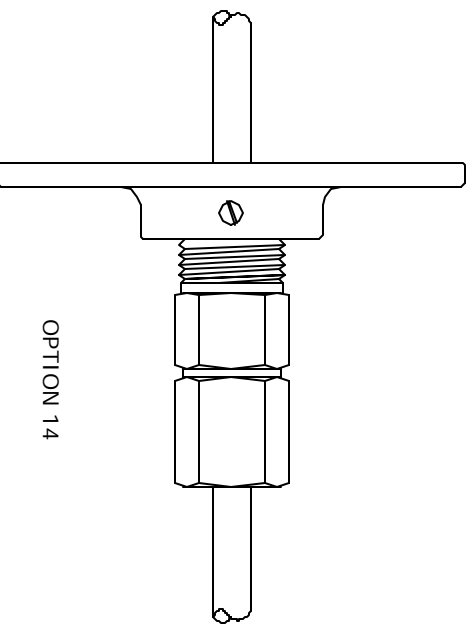


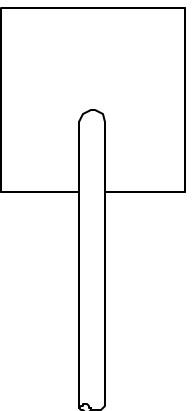
RESISTANCE TEMPERATURE DETECTORS [4]



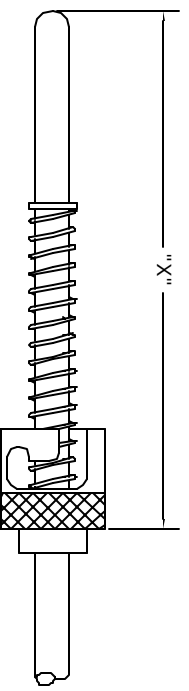
OPTIONS 02 TO 15, 19 AND 25



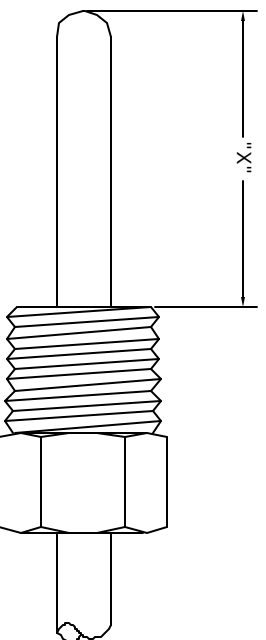
OPTION 14



OPTION 18



OPTION 20(X)



OPTIONS 21(X) TO 25(X)