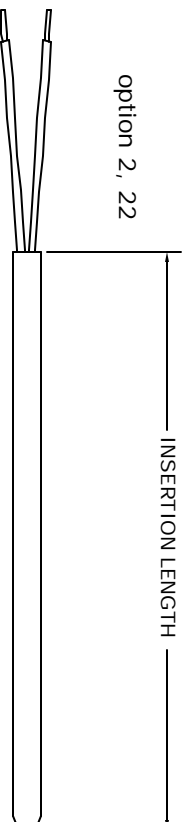
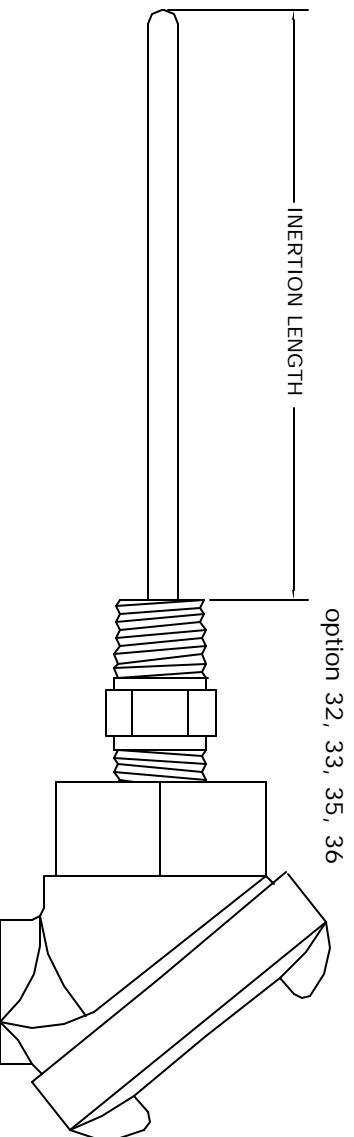
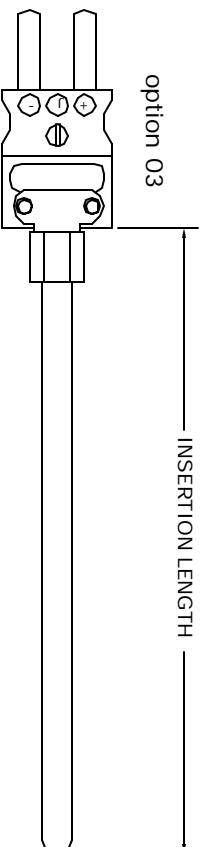
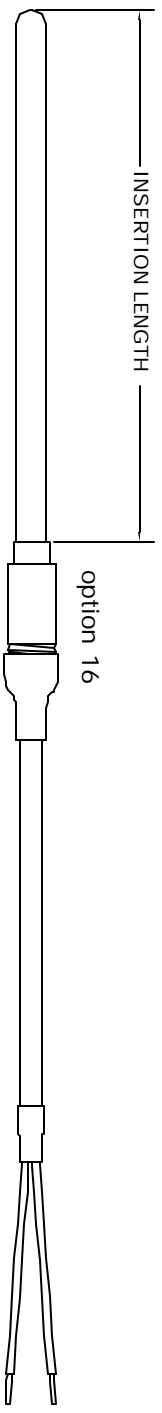


# RESISTANCE TEMPERATURE DETECTORS



Acrolab's Resistance Temperature Detector's are available in the same styles as our thermocouples are. Standard accuracy is 0.3%, but are available in 0.01% for more accuracy. Standard temperature RTD's are designed and built to be moisture resistant, where as high temperature RTD's generally are not. Acrolab's RTD's are built with a 316SS sheath as standard.