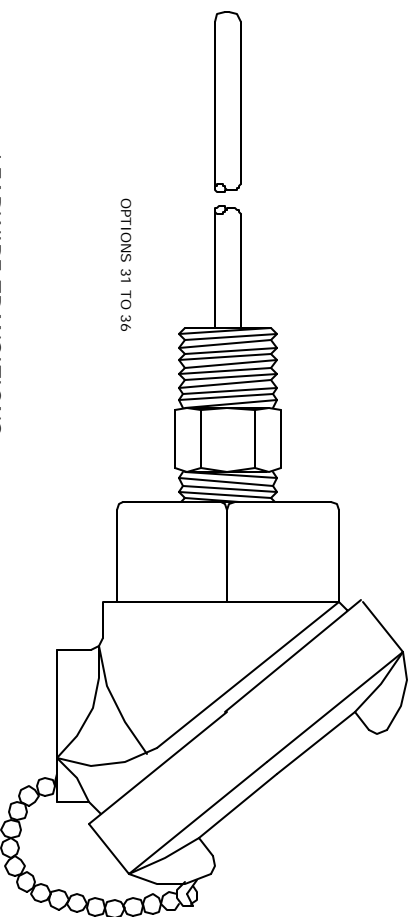
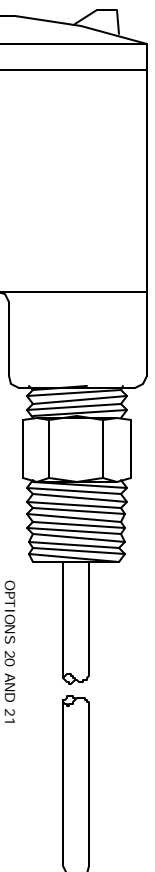
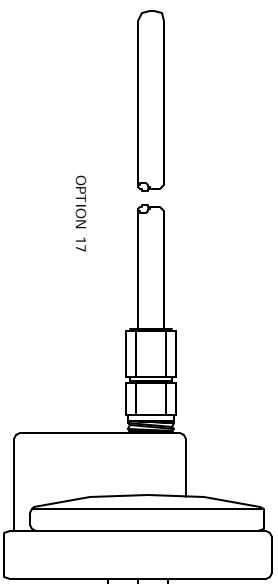


Mgo THERMOCOUPLES [6]

HEAD TERMINATIONS



LEADWIRE TRANSITIONS

