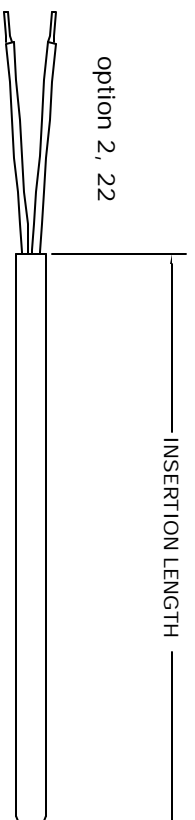
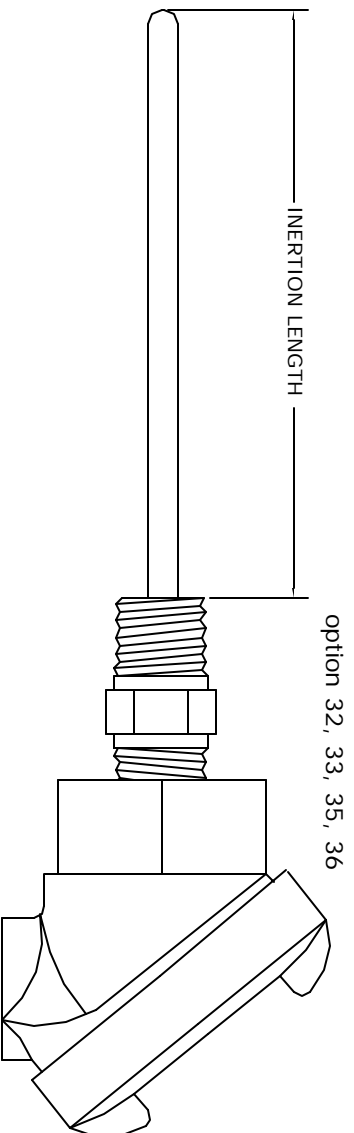
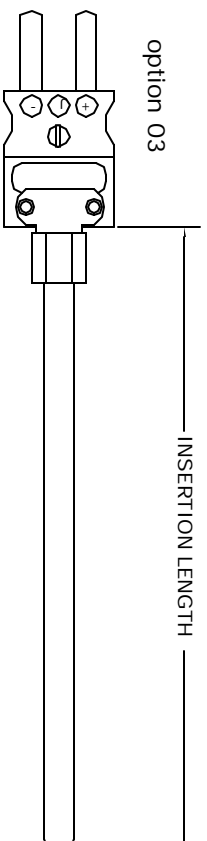
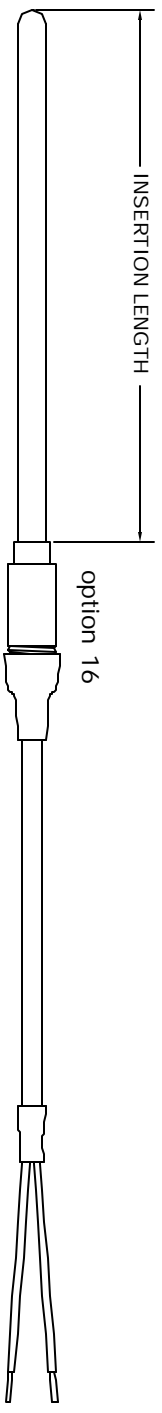


# MgO THERMOCOUPLES



Acrolab's Magnesium Oxide (MgO) thermocouples are manufactured using standard purity (96%) Magnesium Oxide mineral insulation in a fully annealed metal sheath. They are available in diameters of 0.032" to 3/8" OD and are extremely flexible. The following pages will aid you in selecting a MgO Thermocouple to suit your application's needs.