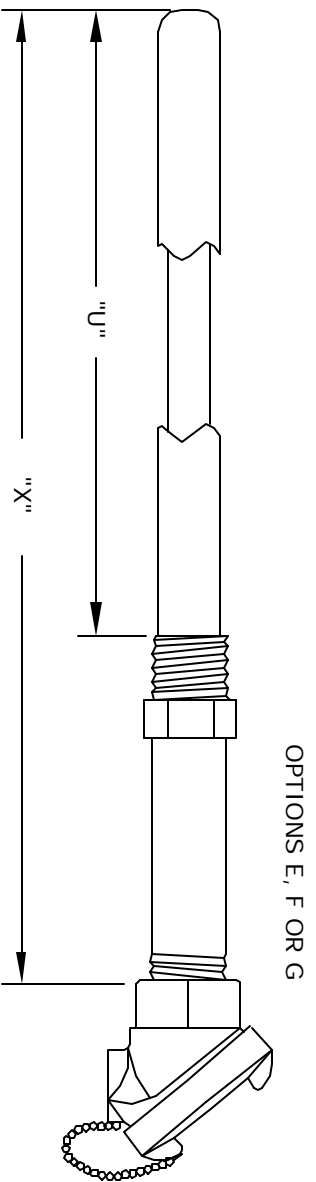
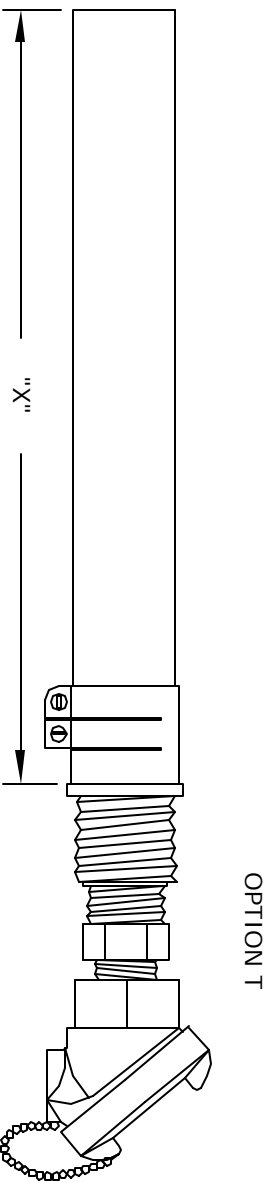
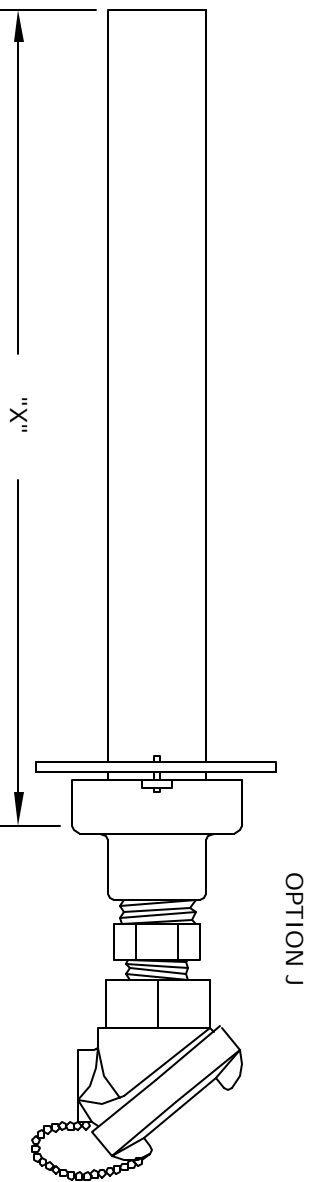


STRAIGHT THERMOCOUPLE ASSEMBLIES WITH DOUBLE PROTECTION TUBES



Acrolab's double protection tube assemblies all come equipped with a ceramic inner protection tube, and a variety of ceramic, metal alloy or composite material outer protection tube. They are used in a variety of high temperature process heating applications.