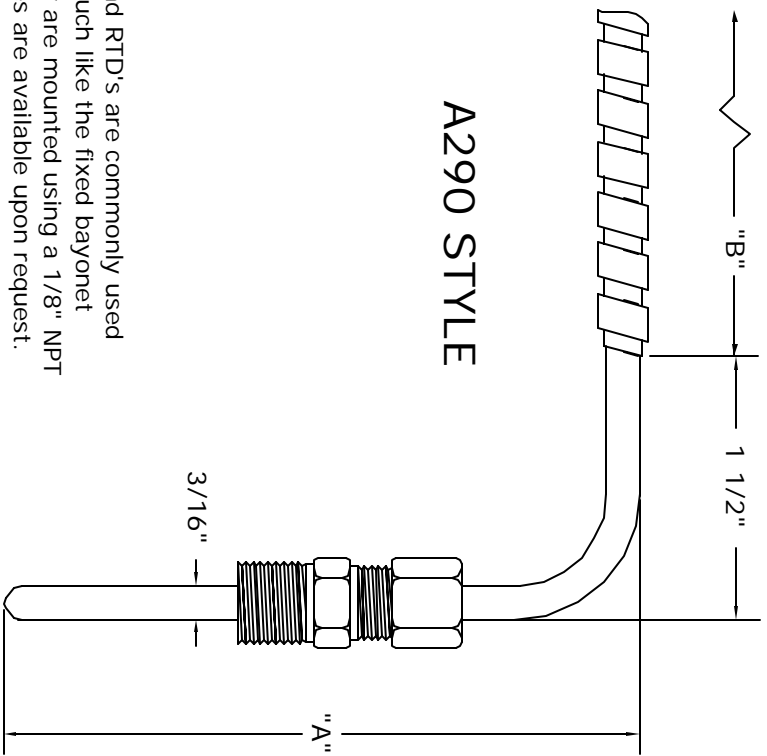
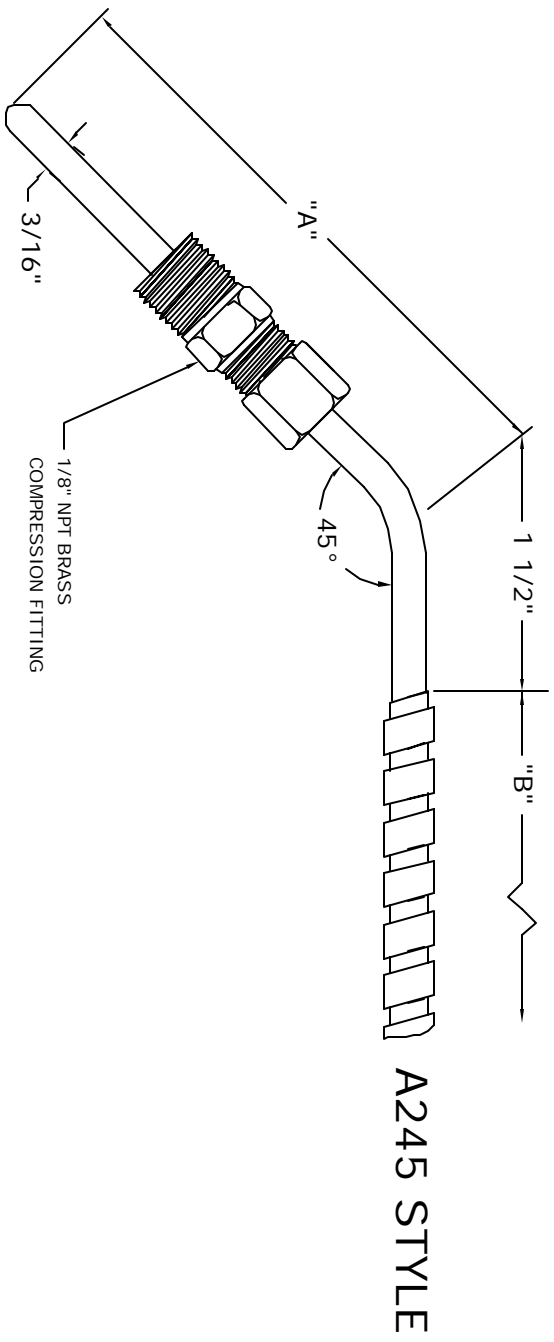
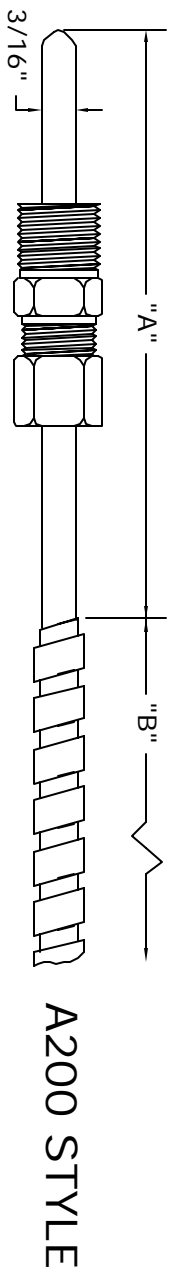


# FIXED COMPRESSION THERMOCOUPLES AND RTDS



Fixed Compression thermocouples and RTD's are commonly used in the Plastics Processing Industry much like the fixed bayonet style are. The difference being is they are mounted using a 1/8" NPT compression fitting. Other thread sizes are available upon request.