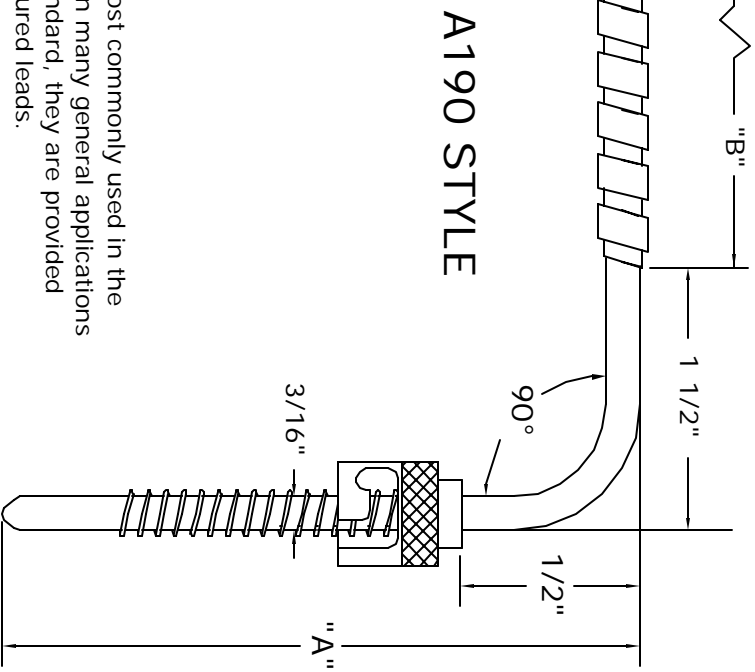
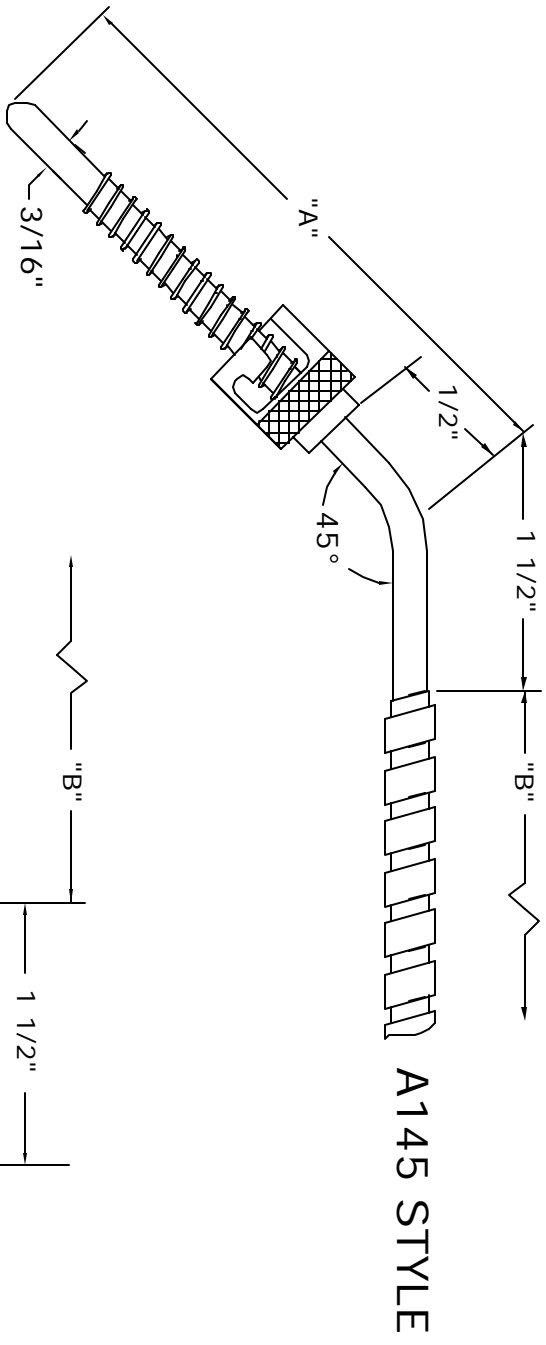
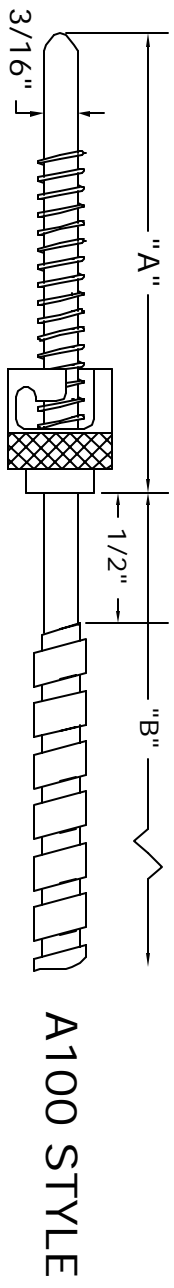


FIXED BAYONET THERMOCOUPLES AND RTDS



Fixed bayonet thermocouples and RTD's are most commonly used in the Plastic Processing Industry. They can be used in many general applications where a bayonet adaptor is preferred. As a standard, they are provided with a 316SS sheath with SS square lock armoured leads.